

Shire of Broome

Azuki Japanese Fusion

Location: Shop 1 Napier Terrace, Chinatown

Type: Indoor and alfresco table service with Counter sales and take away.

Food Style: Japanese with a twist.

Opening hours: Tuesday to Saturday 12.00pm – 3pm & 6.00pm til late
Monday 12.00pm – 3pm

Telephone: (08) 9193 7211

Web: No

Bookings taken: Yes

Closest accessible parking: Onsite

Pick up / set down bay: No.

Closest public transport: Town bus stop on Male Oval on Carnarvon St

Accessible toilet: Onsite

Signage: There is good directional signage with colour contrast and easy to read.

External access: A barrier free pedestrian path 1000mm wide leads to the open entrance.

Entrance door: Open Gateway is 1000mm wide and leads to the alfresco dining area.

Alfresco: Long wooden table with bench seating. The end spaces would be suitable for wheelchair patrons. There are table service and table menus available.

Internal: The wide-open access is suitable for wheelchairs and is on the right hand side. There is tile flooring and wooden tables with bench seating and good knee clearance. Table menu and black board menu are easy to read. Wheelchair circulation is ok (Y).

Food counter: The counter is 950mm at sitting heights.

Seating: Low lounge seating and high bar stools are available on the ground level.

Menu: These are in good colour contrast and easy to read with a 12 point font.

Accessible toilet: There is a unisex accessible toilet in the female toilet block at the rear of the building, open during business hours.

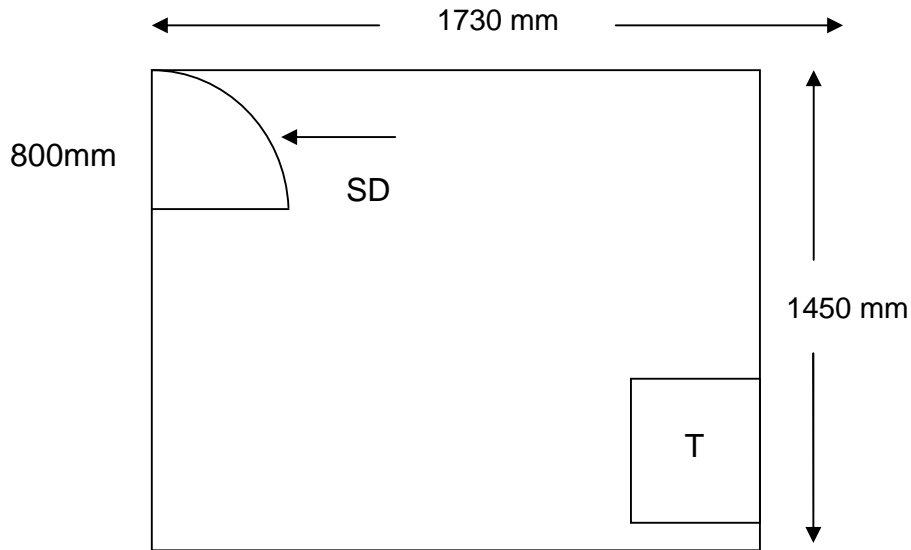
External access: The external door is 850mm wide and light to open and slow to close with a knob handle. There is ample clearance on the latch side and 860mm on the inside. There are three cubicles, with one of them being accessible for wheelchair patrons.

Door: The door is 800mm wide with a knob handle and it's tiled throughout with non slippery surface.

Pan height: 460mm with a handrail.

Basin height: The basins are located outside the cubicle and are 860mm with knee access.

Lighting: The light works with a push-button on a timer. It is located at 1050mm heights.



- T = Toilet
- WB = Wash Basin
- SD = Swing door
- SLD = Sliding door
- SWR = Shower recess





Information collected by:

Shire of Broome August 2007

**Care has been taken to ensure the accuracy of this information however no guarantee is given that the facility is fully accessible.
Please advise the Shire of Broome of any access changes since publication.**

'You're Welcome WA Access Initiative' © Disability Services Commission 2007



The **You're Welcome WA Access Initiative** was developed by the Disability Services Commission in partnership with the Western Australian Local Government Association, Ministerial Advisory Council on Disability, People with Disabilities (WA) Inc, Tourism Western Australia, ACROD WA, NICAN WA and the City of Perth.