

Shire of Broome

BP Reid Road

Location: Cnr Reid Road & Dakas Street, Broome

Facilities: Petrol supply, car wash, take away food, convenience store with essential supermarket items, ice, bait

Opening Hours: Sunday to Wednesday 6.00am – 11.00pm
Thursday to Saturday 6.00am – Midnight

Telephone: (08) 9192 8031

Web: No.

Closest accessible parking: One accessible parking bays at the front of the entrance.

Pick up / set down bay: Yes.

Closest public transport: Not available in this area.

Closest accessible toilet: One toilet onsite.

Signage: Good prominent lettering easily read from the roadside.

External access: a 2000mm path with a ramp (gradient 3.7degree) connects the Pickup/ Set down bay with entrance. The path is barrier free and suitable for all styles of wheelchairs (Y++).

Main entrance: Level entry with automatic double doors 1300mm wide.

Internal: Vinyl flooring with aisles approx. 1000mm apart.

Displays: Shelf items at sitting and standing height.

Payment / Service / Food counters: All counters are accessible at sitting height.

Cueing system: Counter service operates by the customer service staff calling 'next please'. There are no visual prompts.

Accessible toilet: There is an accessible unisex toilet available at the rear of the store. The toilet is available for customers only and is available from 6am - 6pm.

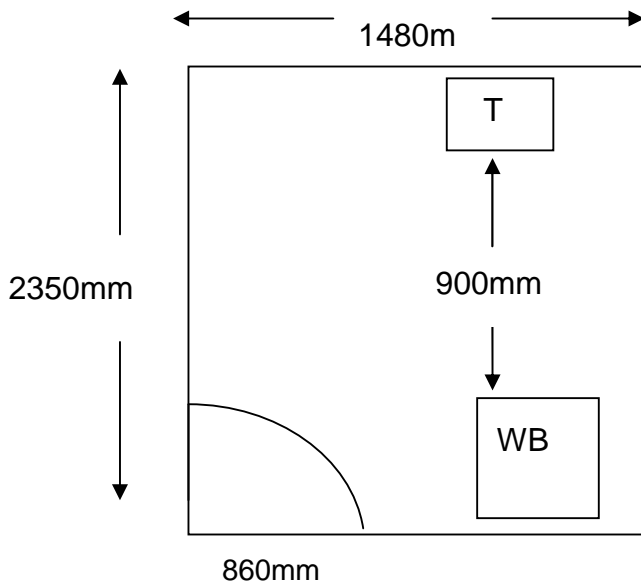
External access: Barrier free pathway 1200mm wide leads to the entry door.

Door: Level access swing door 820mm wide with a knob handle. The door is heavy to open and fast to close. There is a button snib incorporated in the handle.

Lighting: A push button light switch on the wall 1350mm high.

Pan height: 470mm

Basin: 850mm with knee clearance.



T = Toilet
 WB = Wash Basin
 SD = Swing door
 SLD = Sliding door
 SWR= Shower recess



Information collected by:

Shire of Broome August 2007

Care has been taken to ensure the accuracy of this information however no guarantee is given that the facility is fully accessible.

Please advise the Shire of Broome of any access changes since publication.

'You're Welcome WA Access Initiative' © Disability Services Commission 2007



The **You're Welcome WA Access Initiative** was developed by the Disability Services Commission in partnership with the Western Australian Local Government Association, Ministerial Advisory Council on Disability, People with Disabilities (WA) Inc, Tourism Western Australia, ACROD WA, NICAN WA and the City of Perth.