

Shire of Broome

## **Black Pearl Restaurant**

**Location:** Shop 4/63 Robinson Street, opposite Broome Museum

**Type:** Indoor and Alfresco with table service café style

**Opening hours:** Monday to Sunday 7.00am – 11.00pm

**Telephone:** (08) 9192 1779

**Web:** No.

**Bookings taken:** Yes.

**Closest accessible parking:** One designated parking bay

**Pick up / set down bay:** No.

**Closest public transport:** Town Bus stop on Robinson Street, Broome

**Accessible toilet:** Onsite.

**Signage:** Directional signage available from main thoroughfare.

**External access:** The barrier free pedestrian ramp of 4 degree (1.14) on concrete path is 2300mm wide.

**Entrance door:** Is a 1900mm double swing door with pull action.

**Internal:** Vinyl floor with good wheelchair access and circulation (Y+).

**Food counter:** Is in standing heights, but only to be used to pay or for take away ordering. Payment can be made on tables as well.

**Seating:** It is the same seating for indoor and alfresco area. Movable pedestal tables of 700mm accommodate room for four seats. The chairs are firm with armrests and back support. The sitting height is 450mm.

**Menu:** The table menu is black on white, with a somewhat small print.

**Alfresco:** A wide open folding door entry with a lip downwards of 160mm leads to the alfresco dining area with very good wheelchair access is (Y++).

### **Accessible toilet:**

There are 3 disabled toilets accessible from the internal dining area.

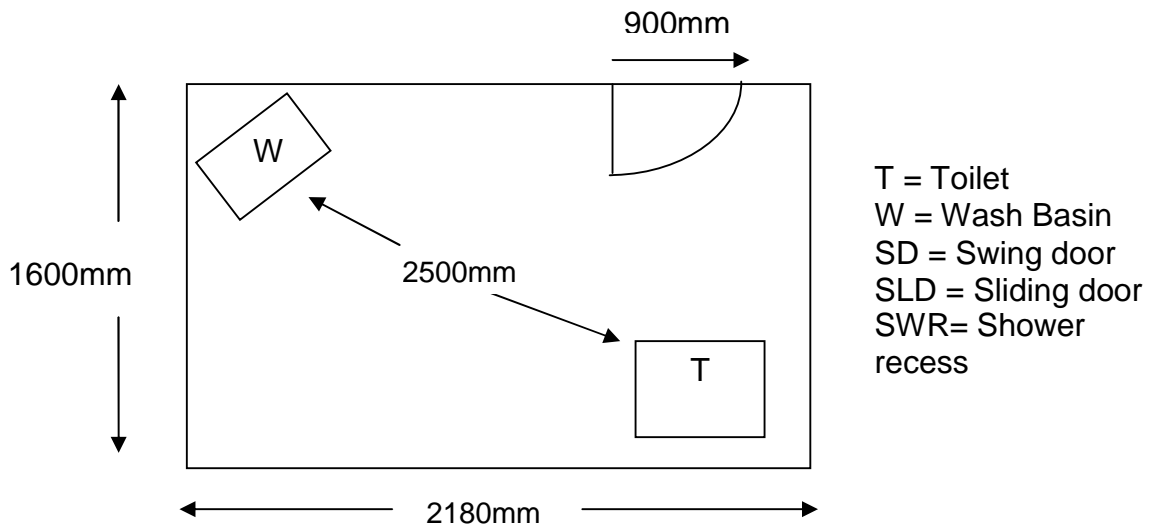
External access: A barrier free entrance door of 910 mm with 'D' handle is somewhat heavy to open and slow to close. It leads to the toilet corridor of 1150mm width. A male, female and unisex toilet is available for disabled wheelchair access.

Door: The door is 900mm wide, heavy to open, fast to close with automatic closer. It has a 'D' handle with a small snib. There is 400mm clearance on the latch side of the door. The wheelchair access is very good (Y++)

Pan height: 480mm

Basin height: 800mm

Lighting: The light switch is accessible from sitting position, 1000mm of the floor.



Information collected by:

Shire of Broome August 2007

Care has been taken to ensure the accuracy of this information however no guarantee is given that the facility is fully accessible.  
 Please advise the Shire of Broome of any access changes since publication.

'You're Welcome WA Access Initiative' © Disability Services Commission 2007



The **You're Welcome WA Access Initiative** was developed by the Disability Services Commission in partnership with the Western Australian Local Government Association, Ministerial Advisory Council on Disability, People with Disabilities (WA) Inc, Tourism Western Australia, ACROD WA, NICAN WA and the City of Perth.