

Shire of Broome

Broome Deep Water Wharf & Jetty

Location: 401 Port Drive, Broome

Contact: Broome Port Authority

Phone: (08) 9192 1304

Web: www.broomeport.com

Closest accessible parking: There is one bay in the public car park with a ramp access to the Jetty walkway. Otherwise, there is ample street-parking close by.

Pick up / set down bay: Onsite, about 200m away from Jetty entrance, at roadway barrier.

Closest Public transport: Not available.

Closest accessible change room: No dedicated change room available. But there is one female and one male public toilet suitable to get changed on the first car park entering the port area.

Pick up / set down bay: A pick up / set down bay is located in the main car park. It would be suitable for a bus to set down.

Access from parking to jetty:

There is a pedestrian walkway suitable for wheelchair access to the jetty entrance.

Jetty access:

Transition onto the Jetty: Access to the Jetty Public Walk Way can be gained via a pathway leading from the Car park down past the Fisheries Office and Wharf Restaurant it measures 1300mm wide and continues alongside a black security fence to 1750mm swing gate which is easy to open with a slow closing action. These gates are situated at either side of the 10 metre wide wharf access road which is restricted to Public Access. A secondary safety gate with a magnetic locking device is situated in front of the Public Access Walkway, it measures 1150mm wide and 1600mm high. A security guard is on duty at the wharf entrance and all wharf traffic is halted when entering or leaving, making the crossing safe for pedestrians.

Jetty Surface: Metal grid surface 1750mm wide. The level entry leads to a down ward sloping ramp gradient 3.6 (1.16). There is a slightly steeper ramp 4.6 (1.14) at the end of the 700m long jetty. There is a wide wheelchair circulation area at the end of this ramp 2270mm wide (Y++).

Safety: Handrails 1000mm high on both side of the Public Access Way ramps and similar safety barrier runs the full length of the jetty. There are eight recessed areas for fishing purposes. There are also five life buoy cabinets at various points. Wheelchairs can access all parts of the jetty public walkway but care should be taken when the jetty is busy as handlines and bait boxes and eskies could prove difficult to negotiate.

Signage: There is a *Port Regulations* sign situated at the entrance to the Jetty Public Access Way, other signage includes, *for the safety of your children please supervise at all times* and *warning maritime security zone located on the wharf security fence*.

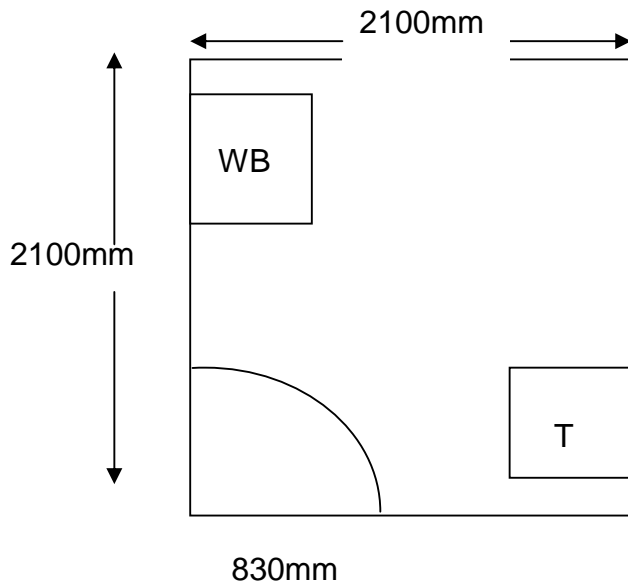
Accessible toilets: There is one female and one male public toilet located in the public car park.

Entry door: It is a 830mm wide swing door.

Pan height: 450mm with grab rail.

Basin height: 860mm

Lighting: automatic lighting.



T = Toilet
WB = Wash Basin
SD = Swing door
SLD = Sliding door
SWR = Shower recess



Information collected by:

Shire of Broome August 2007

Care has been taken to ensure the accuracy of this information however no guarantee is given that the facility is fully accessible.

Please advise the Shire of Broome of any access changes since publication.

'You're Welcome WA Access Initiative' © Disability Services Commission 2007



The **You're Welcome WA Access Initiative** was developed by the Disability Services Commission in partnership with the Western Australian Local Government Association, Ministerial Advisory Council on Disability, People with Disabilities (WA) Inc, Tourism Western Australia, ACROD WA, NICAN WA and the City of Perth.