

Cable Beach Public Toilet

Location: Cable Beach Reserve, Cable Beach Road

Opening hours: Daily 6:45am – 6:00pm

Cost: Free

Gender: Unisex accessible toilet and shower.

Closest accessible parking: There is one accessible parking bay at the Cable Beach car park, near the footpath to Zanders.

Closest public transport: Town Beach Bus stop right in front of it.

Signage: There are directional signs on the Reserve and the door has a clearly marked wheelchair symbol.

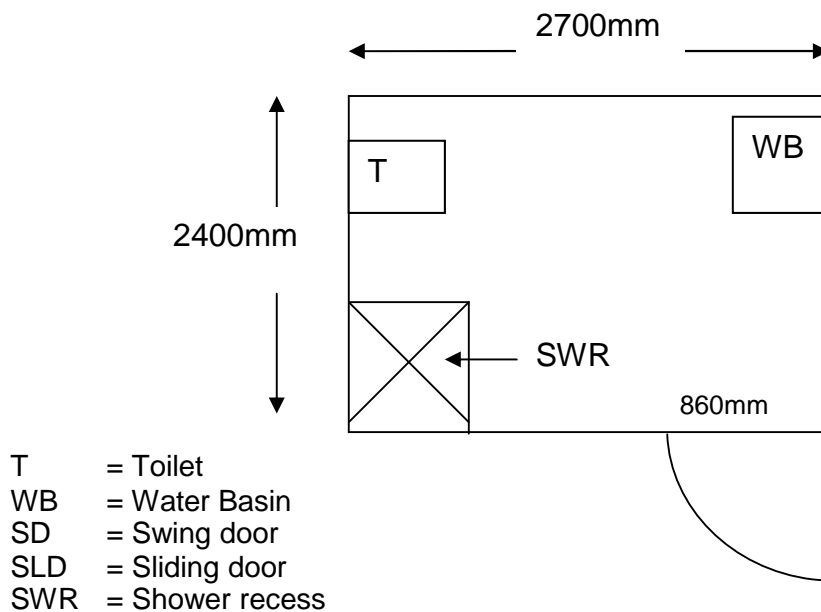
External access: A barrier free brick paved path takes you to the entrance.

Toilet door: The 860mm wide swing door has a 'D' handle and there is a large snib. The door is light to open and slow to close.

Pan height: 480mm

Basin height: 790mm with knee clearance

Lighting: It's automatic light, which goes on at evenings. There is some daylight provided.





Information collected by:

Shire of Broome August 2007

**Care has been taken to ensure the accuracy of this information however no guarantee is given that the facility is fully accessible.
Please advise the Shire of Broome of any access changes since publication.**

'You're Welcome WA Access Initiative' © Disability Services Commission 2007



The **You're Welcome WA Access Initiative** was developed by the Disability Services Commission in partnership with the Western Australian Local Government Association, Ministerial Advisory Council on Disability, People with Disabilities (WA) Inc, Tourism Western Australia, ACROD WA, NICAN WA and the City of Perth.