

Shire of Broome

## **Caltex Starmart Broome**

**Location:** 1 Guy Street, Broome

**Facilities:** Petrol supply, take away food, Ice, bait, fishing tackle, cool drinks, groceries, motor oils etc.

**Opening Hours:** Monday to Sunday 24 hours

**Telephone:** (08) 9193 7833

**Closest accessible parking:** Two accessible parking bays close to the entrance.

**Pick up / set down bay:** Yes, right at the entrance.

**Closest public transport:** Town Bus stop opposite at the Shell House on Guy Street.

**Closest accessible toilet:** onsite.

**Signage:** Clear bold lettering easy to read from the road.

**External access:** Level and barrier free path way connects the car park to the entrance.

**Main entrance:** Double automatic doors 1600mm wide. Wheelchair access (Y++).

**Internal:** Tiled floor with ample circulation for all styles of wheelchairs. Wide aisles are 900-1000mm apart, allowing all parts to be accessed.

**Displays:** Most goods available at sitting height.

**Payment / service counters:** Food counter and payment counter are at sitting heights, but wheelchair patrons would be visible. Drinks cabinets are accessible at sitting height.

**Cueing system:** Counter service operates by the customer service staff calling 'next please'. There are no visual prompts.

**Accessible toilet:** There is a accessible unisex toilet available at the rear of the store.

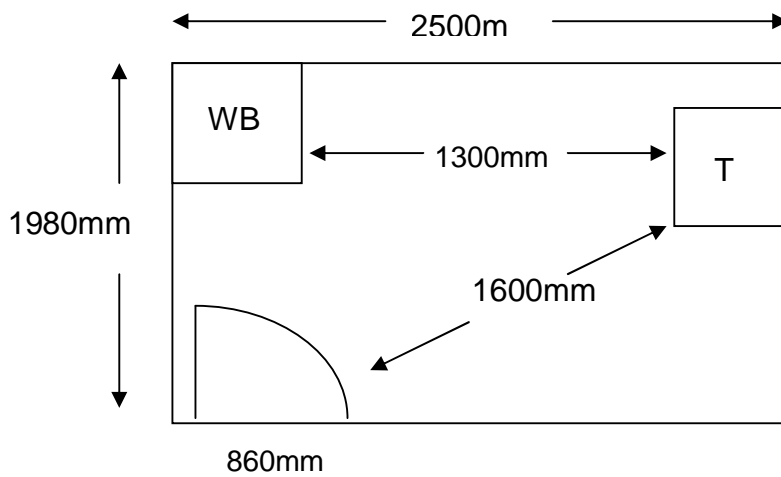
External access: Barrier free aisle.

Door: Level access swing door 860mm wide with ample clearance on latch side and a knob handle.

Lighting: The light is always on.

Pan height: 420mm.

Basin height: 820mm with knee clearance.



- T = Toilet
- WB = Wash Basin
- SD = Swing door
- SLD = Sliding door
- SWR = Shower recess



Information collected by:

Shire of Broome August 2007

Care has been taken to ensure the accuracy of this information however no guarantee is given that the facility is fully accessible.

Please advise the Shire of Broome of any access changes since publication.

'You're Welcome WA Access Initiative' © Disability Services Commission 2007



The **You're Welcome WA Access Initiative** was developed by the Disability Services Commission in partnership with the Western Australian Local Government Association, Ministerial Advisory Council on Disability, People with Disabilities (WA) Inc, Tourism Western Australia, ACROD WA, NICAN WA and the City of Perth.