

Shire of Broome

Oasis Bar & Night Club

Location: Dampier Terrace, Chinatown

Affiliate: Roebuck Bay Hotel Complex

Type: Alfresco dining

Opening hours: Monday to Friday 11:30am – 10.00pm or til late as advertised

Telephone: (08) 9192 1221

Closest accessible parking: One bay is located near the entrance on the opposite side of Dampier Terrace.

Closest public transport: Town bus stop on Dampier Tce, about 2 minutes away.

Accessible toilet: 2 accessible toilets onsite.

External access and entrance: 1200mm wide-open door leads to a brick paved ramp. Wheelchair access (Y+).

Bar: 1120mm at standing height and on platform 2300mm high.

Seating: Bench or chairs seating 430mm high.

Tables: Some circular, otherwise trestle style tables. Ask staff for menu, Counter service for ordering, staff will bring food to tables

Accessible toilet:

Male: Access wide level concrete path 1200mm (Y+)

Entrance door: open 780mm wide, barrier free

Toilet door: 810mm wide swing door. Push action light to open. Small snib 980mm clearance on latch side (internal). 1050mm clearance external (Y++).

Pan height: 420mm

Basin height: 840mm

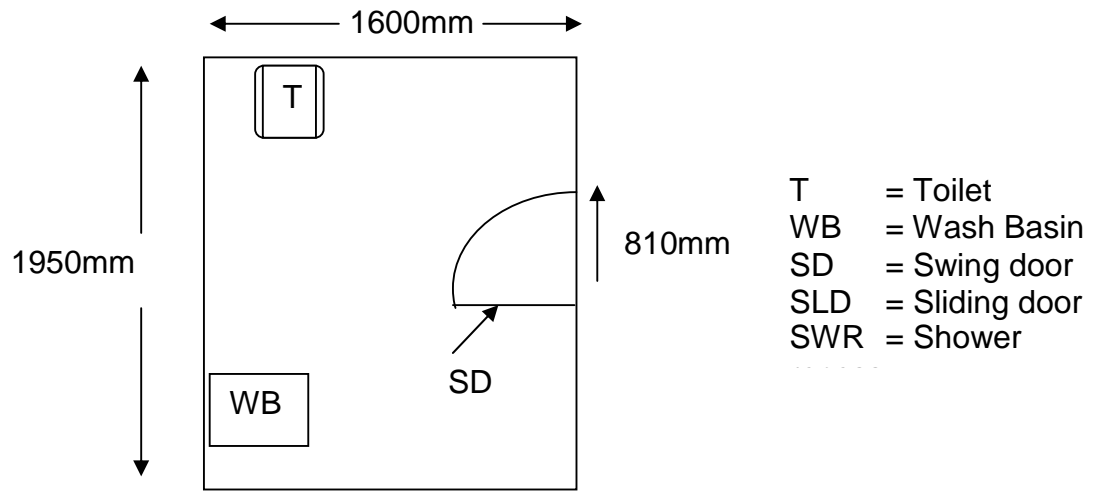
Female: External Access concrete path 1000m wide (Y+)

Entrance door: open 820mm wide

Toilet door: Push door 780mm wide light to open. Small snib. 830mm clearance on latch side (internal) 400mm external

Toilet pan: 460mm

Wash Basin: 850mm



Female Toilet



Male Toilet:



Information collected by:

Shire of Broome August 2007

Care has been taken to ensure the accuracy of this information however no guarantee is given that the facility is fully accessible.
Please advise the Shire of Broome of any access changes since publication.

'You're Welcome WA Access Initiative' © Disability Services Commission 2007



The **You're Welcome WA Access Initiative** was developed by the Disability Services Commission in partnership with the Western Australian Local Government Association, Ministerial Advisory Council on Disability, People with Disabilities (WA) Inc, Tourism Western Australia, ACROD WA, NICAN WA and the City of Perth.