

Shire of Broome

## **Pearler's Bar & Cheffy's Alfresco Restaurant**

**Location:** Carnarvon Street & Dampier Terrace, Chinatown

**Opening hours:** 12.00pm – 9.00pm counter service to order, then table service

**Telephone:** (08) 9192 1221

**Bookings taken:** Yes.

**Closest accessible parking:** Street parking in Dampier Terrace or Roebuck Bay Hotel Car park from Carnarvon St, There are no designated disabled parking bays available

**Closest public transport:** Town Bus stop on Carnarvon St or on Dampier Terrace, about 2 – 5 minutes away.

**Accessible toilet:** Onsite.

**External access:** Small ramp from car park and street level on Dampier Terrace.

**Entrance door:** 1650mm open door from car park with 90mm lip. There is also a wide open door from Dampier Terrace.

**Pearlers Bar - Internal:** The room has low pile carpet with movable lounge chairs with no armrests. The table are double pedestal with good knee clearance. The payment counter is in standing height.

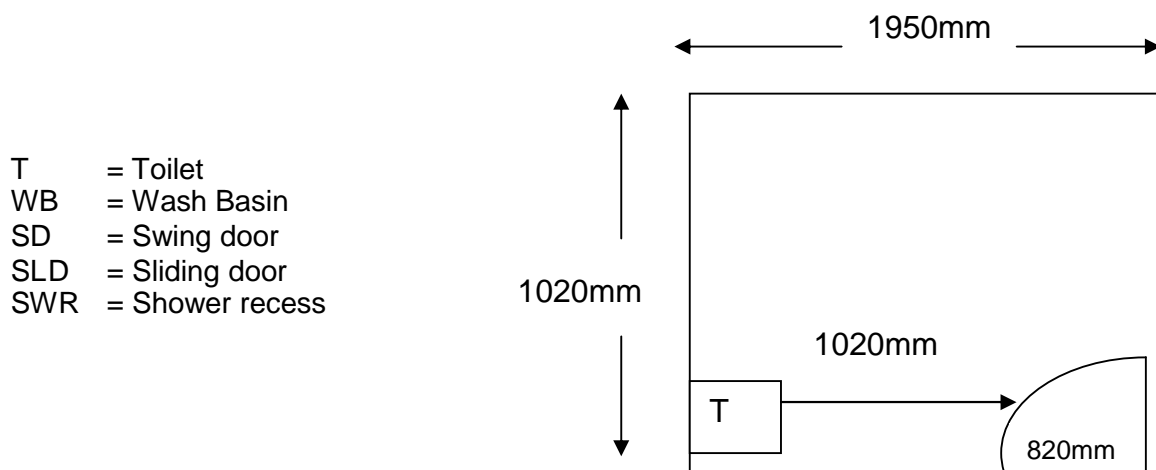
**Cheffy's - External:** Tiled floor with double pedestal tables with good knee clearance, firm seats 430mm high. Tables & chairs are movable.

### **Accessible toilet:**

There is a male and female accessible toilet with good signage. The Access path is 1750mm with a small 50mm small lip. The entrance door works as push swivel and is 800mm wide. Light to open 'D' handle and moderate to open from inside. Small snib clearance on latch side 120mm (external) 250mm (internal).

Pan height: 430mm

Basin height: 860mm, in 3meters distance



Female Toilet:



Male Toilet:





**Information collected by:**

**Shire of Broome August 2007**

**Care has been taken to ensure the accuracy of this information however no guarantee is given that the facility is fully accessible.**

**Please advise the Shire of Broome of any access changes since publication.**

'You're Welcome WA Access Initiative' © Disability Services Commission 2007



The **You're Welcome WA Access Initiative** was developed by the Disability Services Commission in partnership with the Western Australian Local Government Association, Ministerial Advisory Council on Disability, People with Disabilities (WA) Inc, Tourism Western Australia, ACROD WA, NICAN WA and the City of Perth.