

Shire of Broome

## **The Club Restaurant and Boardwalk Cafe**

**Location:** Cable Beach Club Resort on Cable Beach Road, Broome.

**Type:** Alfresco Café style dining on the Boardwalk and formal dining in the Club Restaurant.

**Opening hours for both:**

Monday to Sunday: 8.00am til late

**Telephone:** (08) 9192 0400

**Web:** [www.cablebeachclub.com](http://www.cablebeachclub.com)

**Bookings taken:** Yes.

**Closest accessible parking:** There is one bay on the left hand side, when driving into front of the resort. There is another accessible bay at the rear of the resort via Millington Road access.

**Pick up / set down bay:** Yes, at the entrance of the Resort.

**Closest public transport:** Town Bus stop on Cable Beach Car park, about 5 minutes away.

**Accessible toilet:** onsite.

**Signage:** Very little signage and no directional signage to the toilets.

**External access:** A level barrier free path 1300mm wide connects the resort foyer to the restaurant entrance.

**Entrance Club Restaurant:** A 3000mm wide open entry with a 30mm lip.

**Internal Club Restaurant:** A wooden floor with sufficient circulation space for all styles of wheelchairs.

**Food counter:** Is in standing heights for ordering or paying meals.

**Seating Club Restaurant:** The chairs are movable with armrests and have a seat height of 490mm. The tables are central pedestal with good knee clearance.

**Menu (both):** The table menu has good colour contrast and is easy to read.

**Alfresco:** The boardwalk Café is located to the front of the entrance to the Club Restaurant and overlooks the Family Pool. Wheelchairs can access all areas (Y++).

**Seating Boardwalk Café:** The seating consists of central pedestal tables and firm chairs with armrests. The movable chairs have a seat of 470mm and have good knee clearance. The table are 740mm high.

**Accessible toilet:**

There is one male and one female accessible toilet located on the boardwalk outside the Club Restaurant.

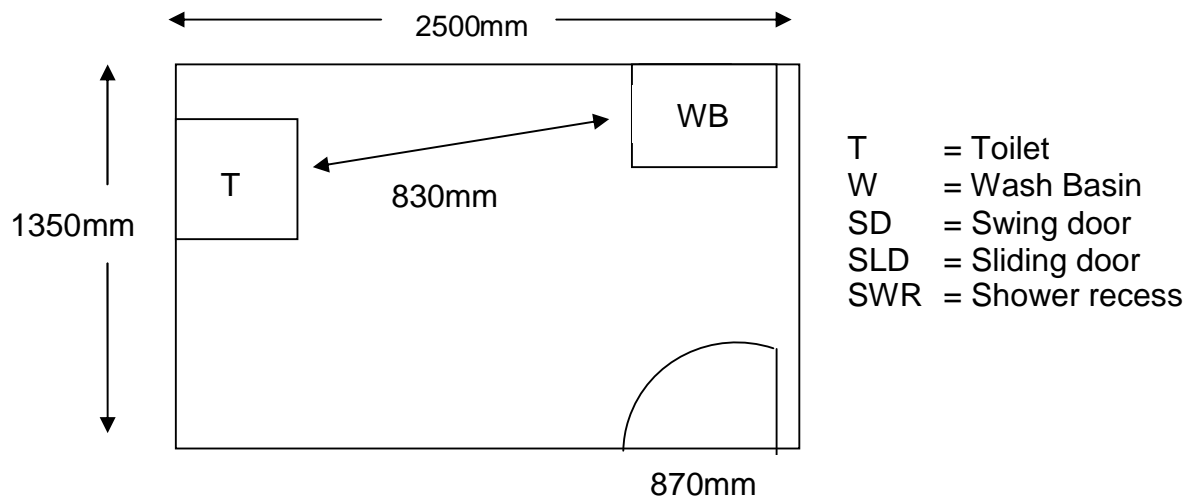
**External access:** A short ramp gradient 5.8degrees (1.9) connects the Boardwalk to the toilet entrance. The door to the toilets is a swing door 800mm with a push action. The door is heavy to open. There is sufficient room for al styles of wheelchairs.

**Door:** The toilet door is swing door 870mm wide that is light to open and fast to close. It has a 1500mm on the internal latch side of the door.

Pan height: 460mm

Basin height: 790mm

Lighting: There are light switches in approx. 900mm height



Information collected by:

Shire of Broome August 2007

Care has been taken to ensure the accuracy of this information however no guarantee is given that the facility is fully accessible.  
Please advise the Shire of Broome of any access changes since publication.

'You're Welcome WA Access Initiative' © Disability Services Commission 2007



The **You're Welcome WA Access Initiative** was developed by the Disability Services Commission in partnership with the Western Australian Local Government Association, Ministerial Advisory Council on Disability, People with Disabilities (WA) Inc, Tourism Western Australia, ACROD WA, NICAN WA and the City of Perth.