

Shire of Broome

## **The Frangipani**

**Location:** 15 Millington Road, Cable Beach

**Telephone:** (08) 9195 5000

**Web:** [www.thefrangipani.com.au](http://www.thefrangipani.com.au)

**Accessible parking bay onsite:** There are 3 designated disabled parking bays available.

**Drop off available:** Yes, at the entrance to the foyer.

**Closest public transport:** Town Bus Stop at Tarangau Caravan Park, about 30 seconds from the resort

**Accessible public toilet onsite:** Yes, in the foyer.

**Accessible parking:** There is plenty of parking available within the resort.

**Pick up / set down bay:** Vehicle drop off is at the entrance to the foyer.

**External access:** Pedestrian ramp with a gradient of 2.8 (1.2) and 1400mm wide leads to the main entrance.

**Main entrance:** An 800mm wide swing door opens with a 'D' handle and with external clearance of 350mm. The internal clearance is 1350mm on the latch side of the entry door. The door is heavy to open and slow to close.

**Foyer:** The floor is tiled and there is ample circulation space for small and large wheelchairs. Lounge seating is provided in the foyer. There are five firm chairs with a backrest and a seating height of 450mm.

**Reception:** The counter is at standing height.

**Signage:** All signage is clear, easy to read and in good colour contrast. There is directional signage to all essential services and each floor has a directory board, at standing height.

**Information:** Printed information is reachable at sitting height.

### **Accessible public toilet:**

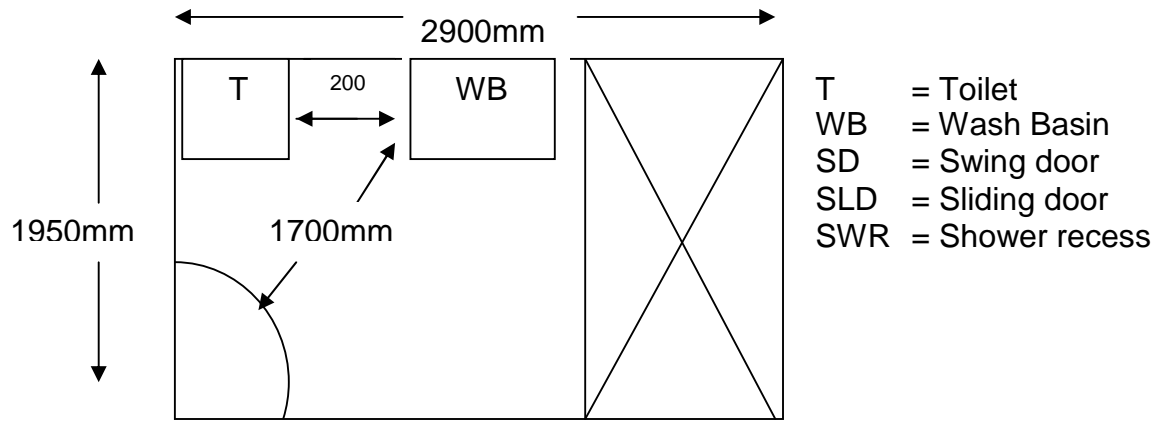
**Door:** The swing door is 860mm wide with a 'D' handle and is heavy to open. There is an external clearance of 2500mm and an internal clearance 300mm on the latch side. The door has a small snib. There is also a small change table and shower facilities.

**Signage:** Very clear & with Braille.

**Pan height:** 470mm.

**Basin height:** 800mm with knee clearance.

**Lighting:** Light switch 900mm high.





**Accessible rooms:** There are three accessible non-smoking rooms on ground level.

**Emergency:** No.

**Access to rooms:** The pathway to the rooms is wide and barrier free with ample room for wheelchairs.

**Accessible rooms:**

Door: The sliding glass room door is 1500mm wide with a key entry. The door is light to open and easy to close and has a 'D' handle. There is ample clearance for wheelchairs (Y++). The rooms are tiled throughout.

Tea and coffee: The kitchen area has benchtops at sitting height and ample circulation space for wheelchairs (YY).

Lounge: The lounge area is spacious with easy wheelchair access to all areas. The provided seating is firm with a seat height of 370mm.

Bed: Access to the bedroom is via a wide 1700mm sliding door. The king size bed is fixed with 670mm high and has a 220mm clearance under the bed. Wheelchair circulation is good with a 900mm clearance either side of the bed and 1600mm at the base.

Bathroom:

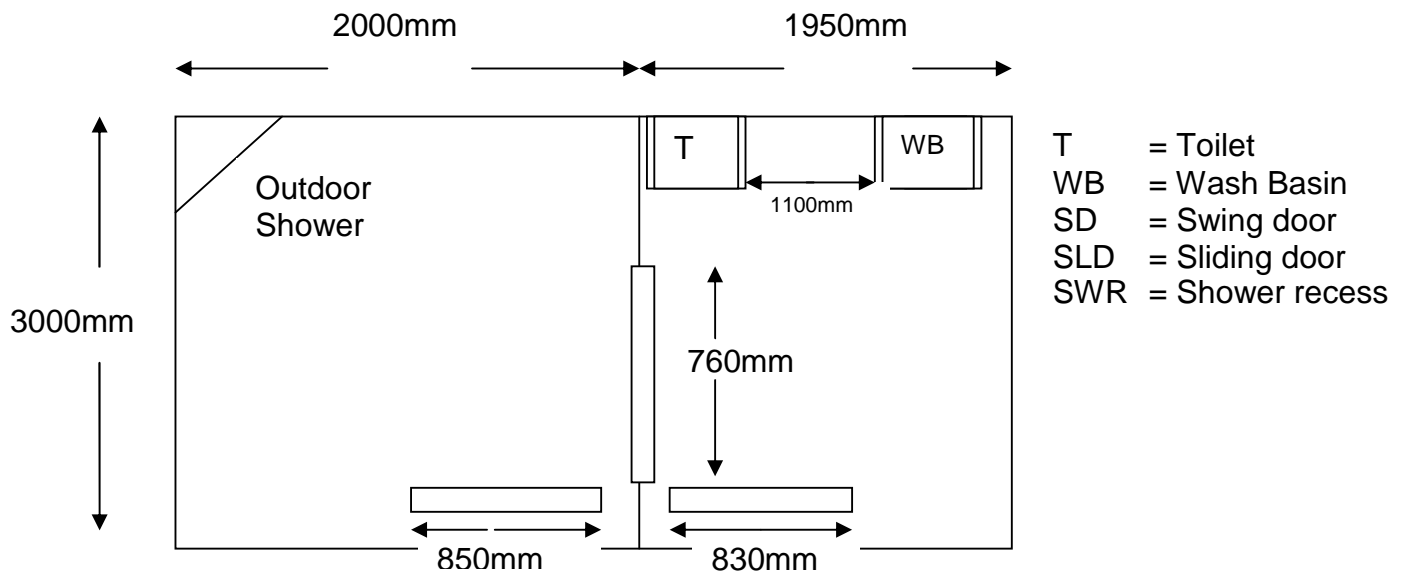
Door: 780mm wide with a slide action. The door is light to open and easy to close.

Pan height: 450mm high.

Basin height: 800mm.

Shower: The outdoor shower area can be accessed from the room or the toilet. Both entrances have sliding door access that is light to open. The wheelchair circulation is good in all areas (Y++).

Emergency call buttons: No.



**Pool:**

Location: The pool is at ground level and its pathways leads to the pool, which is wide, level and barrier free.

Door: The entry gate is 1000mm wide and light to open and slow to close. It works by a 1500mm high lift up knob.

Style: The pool is a 'roman bath' style and has ample wheelchair access to all areas. There are first aid and toilet facility available in the pool area. There are three steps into the water. The opening hours are 7am – 6pm.

**Guest Laundry:** Own laundry facilities in each apartment. Trough and front load washer/dryer combo which is floor mounted.

**Information collected by:**

**Shire of Broome August 2007**

**Care has been taken to ensure the accuracy of this information however no guarantee is given that the facility is fully accessible.**

**Please advise the Shire of Broome of any access changes since publication.**

'You're Welcome WA Access Initiative' © Disability Services Commission 2007



The **You're Welcome WA Access Initiative** was developed by the Disability Services Commission in partnership with the Western Australian Local Government Association, Ministerial Advisory Council on Disability, People with Disabilities (WA) Inc, Tourism Western Australia, ACROD WA, NICAN WA and the City of Perth.