

Shire of Broome

Wharf Restaurant

Location: Port of Broome on Port Drive

Type: Alfresco dining with table service and take away counter sales

Opening hours: Monday to Sunday 10.00am to 10.00pm

Telephone: (08) 9192 5700

Web: www.broomedirectory.com/categories

Bookings taken: Yes

Closest accessible parking: No designated accessible parking bay, but plenty of other parking spots at Broome Jetty Car par.

Pick up / set down bay: Is possible at the entrance.

Closest public transport: Town bus stop at vacation village on Port Drive, very far away from the Port of Broome.

Accessible toilet: Onsite.

Signage: Clear and easy to read.

External access: A brick paved path of 1200mm at its narrowest leads to the alfresco dining area, which is open and without an entrance door. Wheelchair patrons should use this entrance, as staff will attend to orders at the table for wheel-chaired customers.

Entrance door: to counter sales is 1650mm wide with a step-up lip of 120mm. The door is open during business hours.

Internal: The entry aisle is 1800mm wide with good circulation area.

Food counter: At sitting heights with 1000mm.

Seating: The tables are 740mm high with good knee clearance either in shaded area with large umbrellas providing shade. The tables are movable some with corner legs and some with central pedestal. The chairs are movable with armrests and at seating heights of 450mm.

Menu: The menu is easy and available at counter level or brought to the table by request.

Alfresco Area: The level brick paving dining area is generally barrier free with wheelchair access between movable tables at least 1250mm (Y++).

Accessible toilet: There is a unisex accessible toilet during business hours.

External access: The brick paved path of 1350mm leads to the entrance door of a male, female and unisex disabled toilet block.

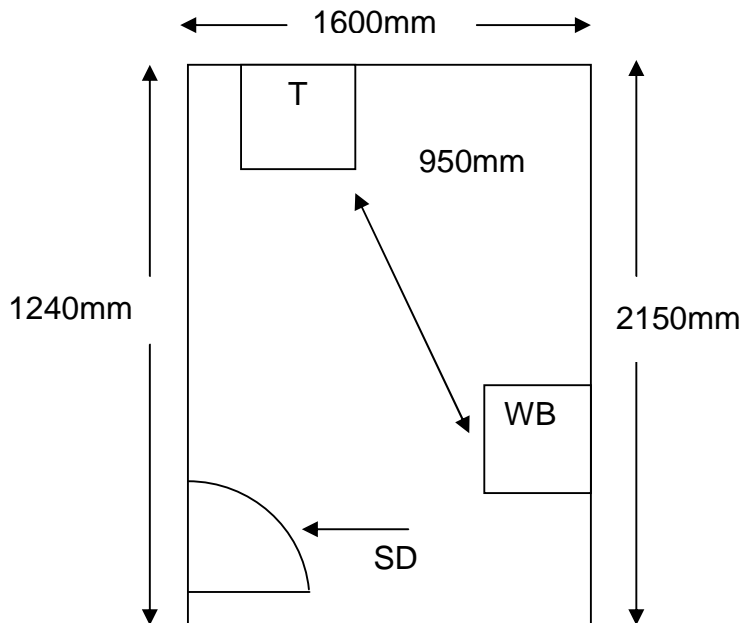
Entrance door: has a 800mm wide swing door and leads to a tiled floor corridor of 1100mm width and 1240mm length.

Toilet door: 870mm wide swing door light to open and easy to close with 1220mm external and internal clearance on the latch side of the door. The door has a knob handle with a push button snib. Wheelchair access (Y++).

Pan height: 480mm.

Basin height: 780mm with knee access.

Lighting: Fluorescent light is usually on at all times. There is a light switch 1400mm on latch side of internal entrance.



Information collected by:

Shire of Broome August 2007

Care has been taken to ensure the accuracy of this information however no guarantee is given that the facility is fully accessible.

Please advise the Shire of Broome of any access changes since publication.

'You're Welcome WA Access Initiative' © Disability Services Commission 2007



The **You're Welcome WA Access Initiative** was developed by the Disability Services Commission in partnership with the Western Australian Local Government Association, Ministerial Advisory Council on Disability, People with Disabilities (WA) Inc, Tourism Western Australia, ACROD WA, NICAN WA and the City of Perth.