

Shire of Broome

Sun Cinemas

Location: Cnr Weld & Napier Terrace, Chinatown

Opening hours: 30 minutes before first advertised program

Telephone: (08) 9192 3199

Web: www.sunpictures.com.au

Closest accessible parking: Two bays close to the entrance

Pick up / Set down bay: Yes, at the front entrance

Closest public transport: Town Bus Stop at Broome Hotel about 5-7minutes away

Accessible toilet: Onsite.

Food outlet on-site: Snack Bar.

External access: A wide pedestrian path of 1100mm with a 3.6degree ramp leads to the front door. It is suitable for all types of wheelchairs.

External entrance:

It has a double door with one side of 700mm kept open.

Foyer: Low pile carpet and spacious ample room for all wheelchairs. The foyer has tables and chairs with backrests and armrests. The seating height is 450mm and the tables have good knee clearance. There is also an ATM available at sitting height.

Ticket desk: Sitting heights with a Perspex security grill.

Signage: All signage including directional signs are in large contrasting lettering that is easy to read,

Assistive Listening Devices: The two cinemas have audio loops.

Cinema one: Has space for two wheelchairs at the back of the cinema. The area is 1200mm x 1800mm. The seats are soft with armrests and backrests. The seat height is 450mm with 400mm knee clearance.

Cinema two: Has four wheelchair spaces at the rear of the front section. The section has chairs and seating with armrests and backrests of the same dimension as cinema one. An audio loop is available in certain sections of the cinema. A map showing the audio areas is displayed in foyer at the entry to each cinema.

Accessible toilet:

There is a unisex accessible toilet available situated within the foyer and to the rear. The access is level and barrier free.

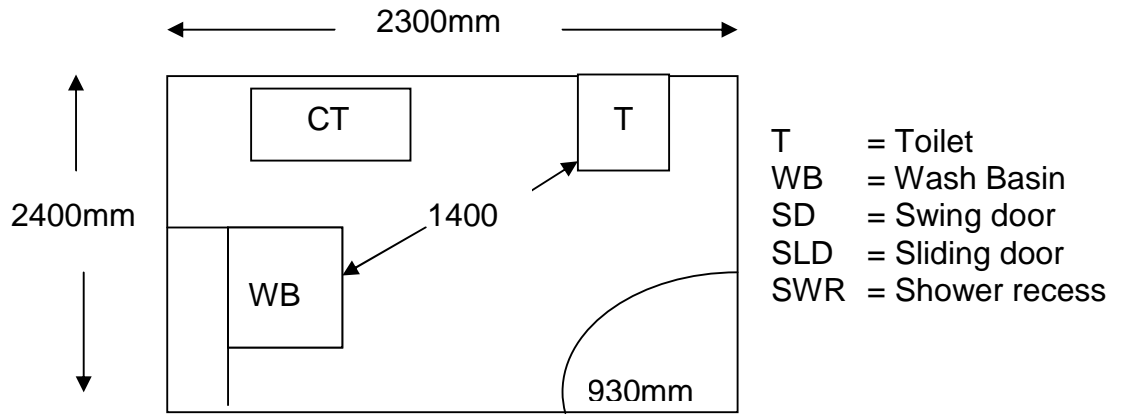
Door: The swing door is 930mm wide and has a push action entry and pull action exit. It has a large 'D' handle on the inside. The door is heavy to open and slow to close. There is 930mm clearance on the latch side. Wheelchair access (Y+)

Pan height: 450mm.

Basin height: 790mm with knee clearance.

Change table: There is a fold down change table with a height of 900mm.

Lighting: The lighting is on at all times.





Information collected by:

Shire of Broome August 2007

**Care has been taken to ensure the accuracy of this information however no guarantee is given that the facility is fully accessible.
Please advise the Shire of Broome of any access changes since publication.**

'You're Welcome WA Access Initiative' © Disability Services Commission 2007



The **You're Welcome WA Access Initiative** was developed by the Disability Services Commission in partnership with the Western Australian Local Government Association, Ministerial Advisory Council on Disability, People with Disabilities (WA) Inc, Tourism Western Australia, ACROD WA, NICAN WA and the City of Perth.

Shire of Broome

Sun Pictures - Open Air Cinema

Location: Carnarvon Street, Chinatown

Opening hours: Daily from 9.00am until about 11.00pm

Telephone: (08) 9192 1077

Web: www.sunpictures.com.au

Closest accessible parking: There are three designated disabled parking bays in Short Street.

Pick up / Set down bay: No.

Closest public transport: Town Bus stop in Carnarvon Street, about 2 minutes away.

Accessible toilet: No

Food outlet on-site: Snack Bar.

External access: The cinema has a barrier free access from the wide paved walkway.

Entrance door: A small lip 50mm leads into an open doorway 1800mm wide. Wheelchair access (Y++)

Foyer & Ticket desk: The foyer is spacious with wheelchair circulation and carpet floor. The ticket booth is barrier free and standing height 1000mm.

Viewing Area: Wheelchair access from foyer to cinema is barrier free and low pile carpet changes to wooden flooring. There is a wide-open area at of the cinema approximately 8m x 5m and is suitable for wheel chaired patrons. There are six padded bench seats 530mm high otherwise seating is deckchair style.

Signage: Clear and easy to read signage on Carnarvon Street.

Assistive Listening Devices: No, and subtitles for foreign films only.

Toilet: The nearest disabled toilet is the public toilet at Male Oval in Carnarvon St, about 2 minutes away. (See report on Male Oval Public Toilet).

Information collected by:

Shire of Broome August 2007

Care has been taken to ensure the accuracy of this information however no guarantee is given that the facility is fully accessible.

Please advise the Shire of Broome of any access changes since publication.

'You're Welcome WA Access Initiative' © Disability Services Commission 2007



The **You're Welcome WA Access Initiative** was developed by the Disability Services Commission in partnership with the Western Australian Local Government Association, Ministerial Advisory Council on Disability, People with Disabilities (WA) Inc, Tourism Western Australia, ACROD WA, NICAN WA and the City of Perth.