

Shire of Broome

Azuki Japanese Fusion

Location: Shop 1 Napier Terrace, Chinatown

Type: Indoor and alfresco table service with Counter sales and take away.

Food Style: Japanese with a twist.

Opening hours: Tuesday to Saturday 12.00pm – 3pm & 6.00pm til late
Monday 12.00pm – 3pm

Telephone: (08) 9193 7211

Web: No

Bookings taken: Yes

Closest accessible parking: Onsite

Pick up / set down bay: No.

Closest public transport: Town bus stop on Male Oval on Carnarvon St

Accessible toilet: Onsite

Signage: There is good directional signage with colour contrast and easy to read.

External access: A barrier free pedestrian path 1000mm wide leads to the open entrance.

Entrance door: Open Gateway is 1000mm wide and leads to the alfresco dining area.

Alfresco: Long wooden table with bench seating. The end spaces would be suitable for wheelchair patrons. There are table service and table menus available.

Internal: The wide-open access is suitable for wheelchairs and is on the right hand side. There is tile flooring and wooden tables with bench seating and good knee clearance. Table menu and black board menu are easy to read. Wheelchair circulation is ok (Y).

Food counter: The counter is 950mm at sitting heights.

Seating: Low lounge seating and high bar stools are available on the ground level.

Menu: These are in good colour contrast and easy to read with a 12 point font.

Accessible toilet: There is a unisex accessible toilet in the female toilet block at the rear of the building, open during business hours.

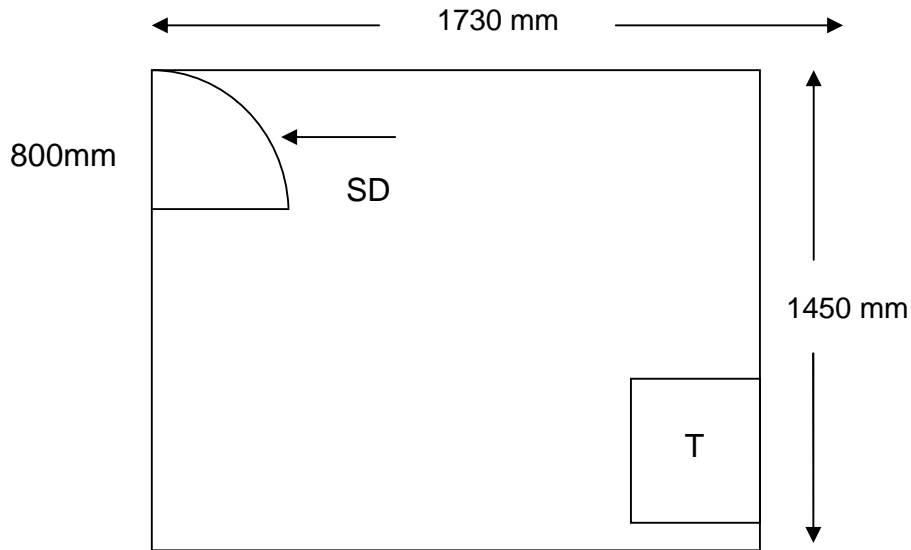
External access: The external door is 850mm wide and light to open and slow to close with a knob handle. There is ample clearance on the latch side and 860mm on the inside. There are three cubicles, with one of them being accessible for wheelchair patrons.

Door: The door is 800mm wide with a knob handle and it's tiled throughout with non slippery surface.

Pan height: 460mm with a handrail.

Basin height: The basins are located outside the cubicle and are 860mm with knee access.

Lighting: The light works with a push-button on a timer. It is located at 1050mm heights.



- T = Toilet
- WB = Wash Basin
- SD = Swing door
- SLD = Sliding door
- SWR = Shower recess





Information collected by:

Shire of Broome August 2007

**Care has been taken to ensure the accuracy of this information however no guarantee is given that the facility is fully accessible.
Please advise the Shire of Broome of any access changes since publication.**

'You're Welcome WA Access Initiative' © Disability Services Commission 2007



The **You're Welcome WA Access Initiative** was developed by the Disability Services Commission in partnership with the Western Australian Local Government Association, Ministerial Advisory Council on Disability, People with Disabilities (WA) Inc, Tourism Western Australia, ACROD WA, NICAN WA and the City of Perth.

Matsos Broome Brewery

Location: Cnr Hamersley / Carnarvon Street, Broome

Type: Internal and alfresco areas for breakfast, lunch and dinner. Australian and European style menu. They offer homebrew ales and have a curry hut as well.

Opening hours: Monday to Sunday 7.00am til late

Telephone: (08) 9193 5811

Web: www.matsosbroomebrewery.com.au

Bookings taken: Yes, only for groups of eight or more.

Closest accessible parking: Ample parking on car park of Hamersley Street and street parking on Carnarvon Street.

Pick up / set down bay: No.

Closest public transport: Town Bus stop just outside Matso's on Carnarvon Street.

Accessible toilet: Nearest accessible toilet at Broome Public Library approx. 5 minutes away during day time.

Signage: Good clear signage on Hamersley Street.

External access: Barrier free pedestrian ramp of 3 Degree (1.19) with handrails.

Entrance door: Open door 970mm wide. Easy wheelchair access (Y+).

Internal: Wooden floor with ample circulation space for wheelchairs (Y++).

Bar & payment counter: These are at standing height.

Seating: The tables have good knee clearance are 760mm high. Table for two have a central pedestal stand. Table for four have corner legs. The chairs are movable with a sitting height of 480mm.

Menu: There is a table menu and a blackboard menu. Both are easy to read with good colour contrast.

Alfresco: There are sailcloth shades for the ground level alfresco area. Tables and chairs are spread apart and have good wheelchair circulation (Y++). The tables are 760mm with good knee clearance. The chairs are movable with a seating height of 460mm.

Curry Hut: Situated in the alfresco area. The counter is at sitting level of 790mm. The menu changes daily open.

Information collected by:

Shire of Broome August 2007

Care has been taken to ensure the accuracy of this information however no guarantee is given that the facility is fully accessible.

Please advise the Shire of Broome of any access changes since publication.

'You're Welcome WA Access Initiative' © Disability Services Commission 2007



Shire of Broome

McDonalds & McCafe

Location: 1 Hamersley Street, Broome

Affiliate: McDonald's & Mc Café

Type: Indoor & Alfresco & Take away & drive through fast food

Opening hours: 24 hours, 7 days a week

Telephone: (08) 9192 6999

Web: www.mcdonalds.com.au

Bookings taken: Yes for large numbers

Closest accessible parking: One designated disabled parking bay.

Pick up / set down bay: Yes at the front and side entrance.

Closest public transport: Town Bus stop at Male Oval on Carnarvon Street or at Broome Motel, about 5 - 7 minutes away.

Accessible toilet: onsite.

Signage: There is very good directional Signage with colour contrast and easy to read.

External access: From the car park via a short ramp (Gradient 1.10)

Entrance door: Wide double automatic doors.

Internal: There is sufficient space for all styles of wheelchairs to move through the internal tiled area (Y++).

Food counter: At sitting height of 910mm, with good view of food displays.

Seating: Internal are 6 pedestal tables with good knee clearance and movable chairs and benches. They have armrests and backrests and are about 406mm high. External are 17 pedestal tables and chairs, mostly with arm- and backrests with the same height.

Menu: Good colour contrast and easy to read.

Accessible toilet:

There is a unisex accessible toilet suitable for all wheelchairs (Y++).

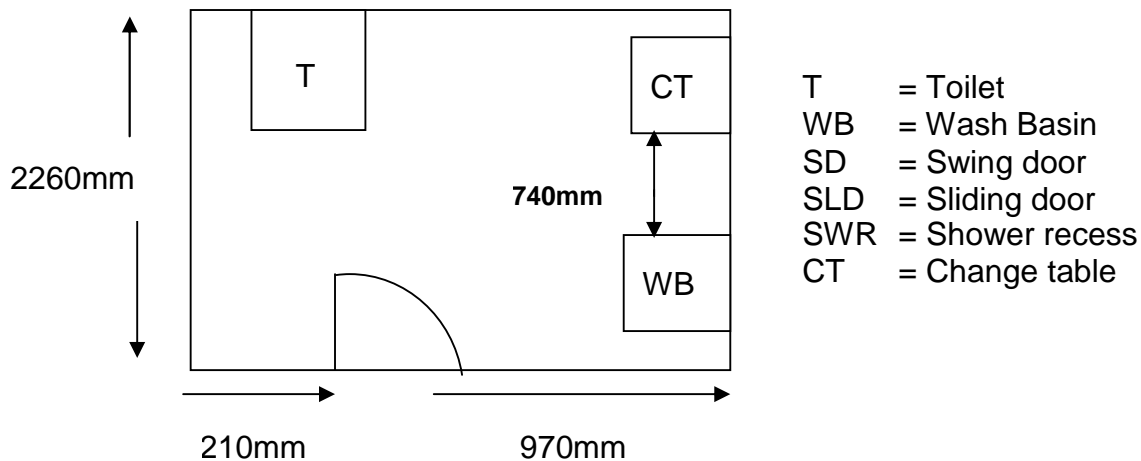
External access: Suitable for all wheelchairs.

Door: The toilet has a 920mm wide swing door with a 'D' handle. The door is easy to open and slow to close.

Pan height: 460mm.

Basin height: 870mm with knee access.

Lighting: The light is on at all times.



Information collected by:

Shire of Broome August 2007

Care has been taken to ensure the accuracy of this information however no guarantee is given that the facility is fully accessible. Please advise the Shire of Broome of any access changes since publication.

'You're Welcome WA Access Initiative' © Disability Services Commission 2007



The **You're Welcome WA Access Initiative** was developed by the Disability Services Commission in partnership with the Western Australian Local Government Association, Ministerial Advisory Council on Disability, People with Disabilities (WA) Inc, Tourism Western Australia, ACROD WA, NICAN WA and the City of Perth.

Shire of Broome

Pearler's Bar & Cheffy's Alfresco Restaurant

Location: Carnarvon Street & Dampier Terrace, Chinatown

Opening hours: 12.00pm – 9.00pm counter service to order, then table service

Telephone: (08) 9192 1221

Bookings taken: Yes.

Closest accessible parking: Street parking in Dampier Terrace or Roebuck Bay Hotel Car park from Carnarvon St, There are no designated disabled parking bays available

Closest public transport: Town Bus stop on Carnarvon St or on Dampier Terrace, about 2 – 5 minutes away.

Accessible toilet: Onsite.

External access: Small ramp from car park and street level on Dampier Terrace.

Entrance door: 1650mm open door from car park with 90mm lip. There is also a wide open door from Dampier Terrace.

Pearlers Bar - Internal: The room has low pile carpet with movable lounge chairs with no armrests. The table are double pedestal with good knee clearance. The payment counter is in standing height.

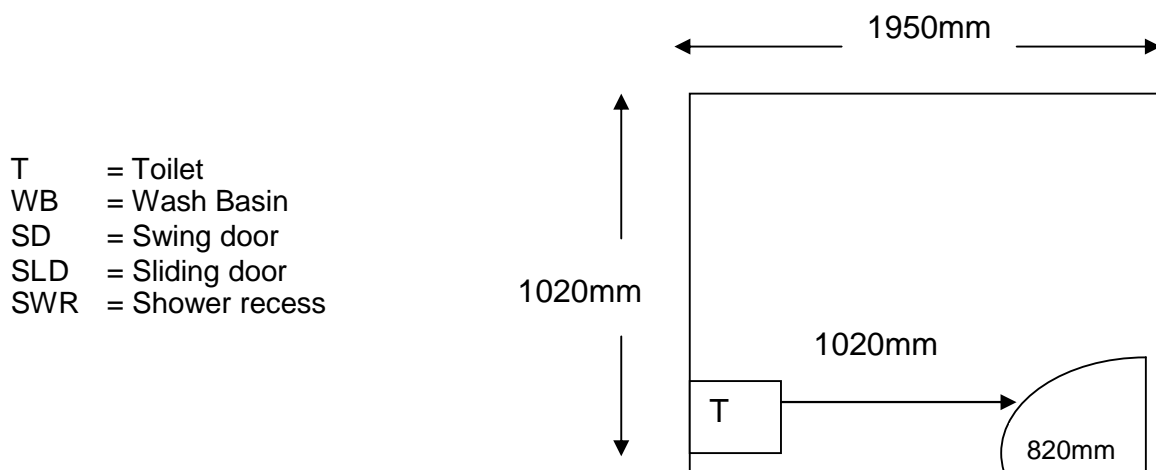
Cheffy's - External: Tiled floor with double pedestal tables with good knee clearance, firm seats 430mm high. Tables & chairs are movable.

Accessible toilet:

There is a male and female accessible toilet with good signage. The Access path is 1750mm with a small 50mm small lip. The entrance door works as push swivel and is 800mm wide. Light to open 'D' handle and moderate to open from inside. Small snib clearance on latch side 120mm (external) 250mm (internal).

Pan height: 430mm

Basin height: 860mm, in 3meters distance



Female Toilet:



Male Toilet:





Information collected by:

Shire of Broome August 2007

Care has been taken to ensure the accuracy of this information however no guarantee is given that the facility is fully accessible.

Please advise the Shire of Broome of any access changes since publication.

'You're Welcome WA Access Initiative' © Disability Services Commission 2007



The **You're Welcome WA Access Initiative** was developed by the Disability Services Commission in partnership with the Western Australian Local Government Association, Ministerial Advisory Council on Disability, People with Disabilities (WA) Inc, Tourism Western Australia, ACROD WA, NICAN WA and the City of Perth.

Shire of Broome

Pindan Restaurant

Location: Lullfitz Drive

Type: Indoor & Alfresco with buffet breakfast and A La Cart lunch & dinner

Opening hours: Monday to Sunday 7.00am – 9:30pm

Telephone: (08) 9194 2188

Bookings taken: Yes.

Closest accessible parking: There are two designated disabled parking bays.

Signage: There is a big sign easy to read from the car park.

Pick up / set down bay: Yes, directly at the entrance near the reception. There is portage available.

Closest public transport: Town Bus stops right at the entrance of the resort.

Accessible toilet: Onsite.

External access: A barrier free 980mm wide ramped corridor (6.7degrees, 1.9) leads to the main entrance, with 1000mm high handrails on either sides. The foyer area has tiled floor throughout with ample circulation for small and large wheelchairs.

Restaurant door: An open sliding door 900mm wide.

Internal: Good wheelchair circulation with wheelchairs is able to access all areas. The floor is tiled indoor and outdoor.

Food counter: Food counter and buffet are at sitting height.

Seating: Tables are central pedestal and chairs are movable with a sitting height of 470mm.

Menu: The table menu is clear and easy to read with good colour contrast.

Alfresco Area:

There is level access to the alfresco area, overlooking the pool. There are umbrellas for each table and chairs and tables are movable with good clearance.

Accessible toilet:

The toilet is next to the foyer area, between toilet and reception.

Information collected by:

Shire of Broome August 2007

Care has been taken to ensure the accuracy of this information however no guarantee is given that the facility is fully accessible.

Please advise the Shire of Broome of any access changes since publication.

'You're Welcome WA Access Initiative' © Disability Services Commission 2007



The **You're Welcome WA Access Initiative** was developed by the Disability Services Commission in partnership with the Western Australian Local Government Association, Ministerial Advisory Council on Disability, People with Disabilities (WA) Inc, Tourism Western Australia, ACROD WA, NICAN WA and the City of Perth.

Shire of Broome

RSL Club

Location: Cnr Robinson & Barker Street, Broome

Opening hours: Tuesday to Thursday 4.00pm – 10.00pm
Saturday 4.00pm – midnight
Sunday 10.00am – 6.00pm

Telephone: (08) 9192 1003

Web: <http://www.broome.wa.gov.au/comcategory.php>

Closest accessible parking: No dedicated parking bays. Off-road parking on Barker Street

Pick up / set down bay: No.

Closest public transport: Town Bus Stop at the Kimberley Klub on Frederick Street, about 7-10minutes away

Accessible toilet: Onsite.

Signage: Good clear signage can be seen from Robinson and Barker Street

External access: Level and barrier free.

Entrance door: Wide open entrance. Wheelchair access (Y++).

Internal: Concrete flooring and alfresco style tables and chairs set in rows approx. 1500mm apart. There is ample space for wheelchair circulation to most areas including the pool table area.

Food counter/Bar: At standing height with one section at sitting heights.

Seating: Chairs are movable with firm seating, armrests and backrests. The seating height is 470mm. The tables are movable and with good knee clearance.

Menu: BBQ pack on Friday nights.

Accessible toilet: There is one unisex accessible toilet.

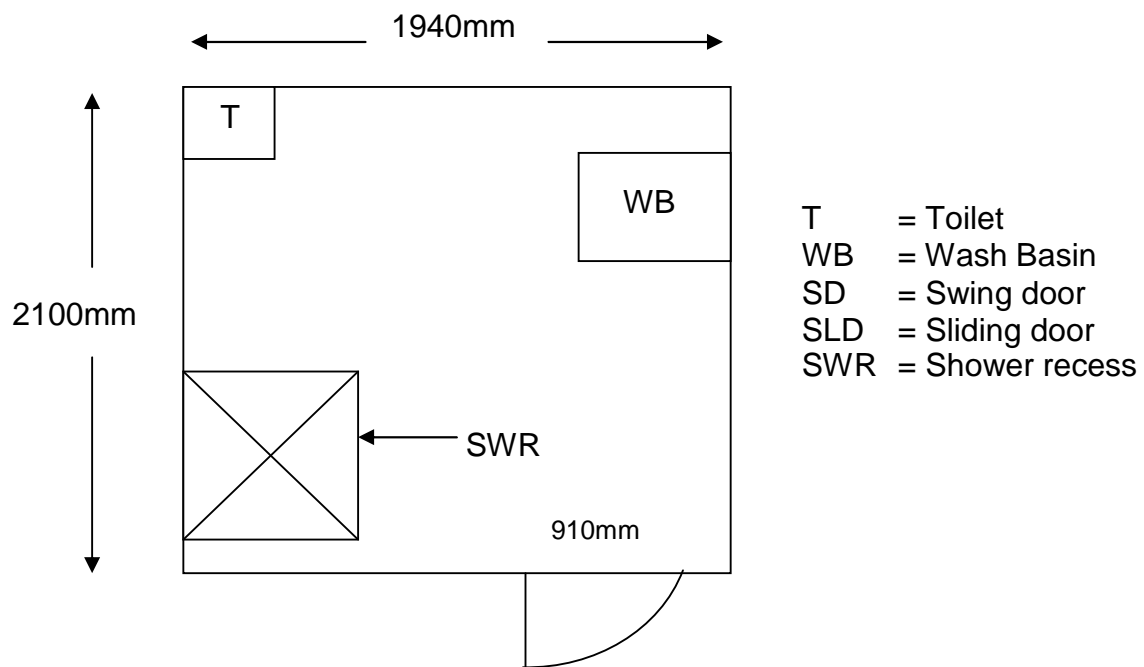
External access: Is level and barrier free.

The toilet has a 910mm wide swing door with a knob/snib handle. The door is heavy to open and fast to close.

Pan height: 460mm.

Basin height: 950mm with knee access.

Lighting: Works with a light switch.



Information collected by:

Shire of Broome August 2007

Care has been taken to ensure the accuracy of this information however no guarantee is given that the facility is fully accessible.
Please advise the Shire of Broome of any access changes since publication.

'You're Welcome WA Access Initiative' © Disability Services Commission 2007



The **You're Welcome WA Access Initiative** was developed by the Disability Services Commission in partnership with the Western Australian Local Government Association, Ministerial Advisory Council on Disability, People with Disabilities (WA) Inc, Tourism Western Australia, ACROD WA, NICAN WA and the City of Perth.

Shire of Broome

The Club Restaurant and Boardwalk Cafe

Location: Cable Beach Club Resort on Cable Beach Road, Broome.

Type: Alfresco Café style dining on the Boardwalk and formal dining in the Club Restaurant.

Opening hours for both:

Monday to Sunday: 8.00am til late

Telephone: (08) 9192 0400

Web: www.cablebeachclub.com

Bookings taken: Yes.

Closest accessible parking: There is one bay on the left hand side, when driving into front of the resort. There is another accessible bay at the rear of the resort via Millington Road access.

Pick up / set down bay: Yes, at the entrance of the Resort.

Closest public transport: Town Bus stop on Cable Beach Car park, about 5 minutes away.

Accessible toilet: onsite.

Signage: Very little signage and no directional signage to the toilets.

External access: A level barrier free path 1300mm wide connects the resort foyer to the restaurant entrance.

Entrance Club Restaurant: A 3000mm wide open entry with a 30mm lip.

Internal Club Restaurant: A wooden floor with sufficient circulation space for all styles of wheelchairs.

Food counter: Is in standing heights for ordering or paying meals.

Seating Club Restaurant: The chairs are movable with armrests and have a seat height of 490mm. The tables are central pedestal with good knee clearance.

Menu (both): The table menu has good colour contrast and is easy to read.

Alfresco: The boardwalk Café is located to the front of the entrance to the Club Restaurant and overlooks the Family Pool. Wheelchairs can access all areas (Y++).

Seating Boardwalk Café: The seating consists of central pedestal tables and firm chairs with armrests. The movable chairs have a seat of 470mm and have good knee clearance. The table are 740mm high.

Accessible toilet:

There is one male and one female accessible toilet located on the boardwalk outside the Club Restaurant.

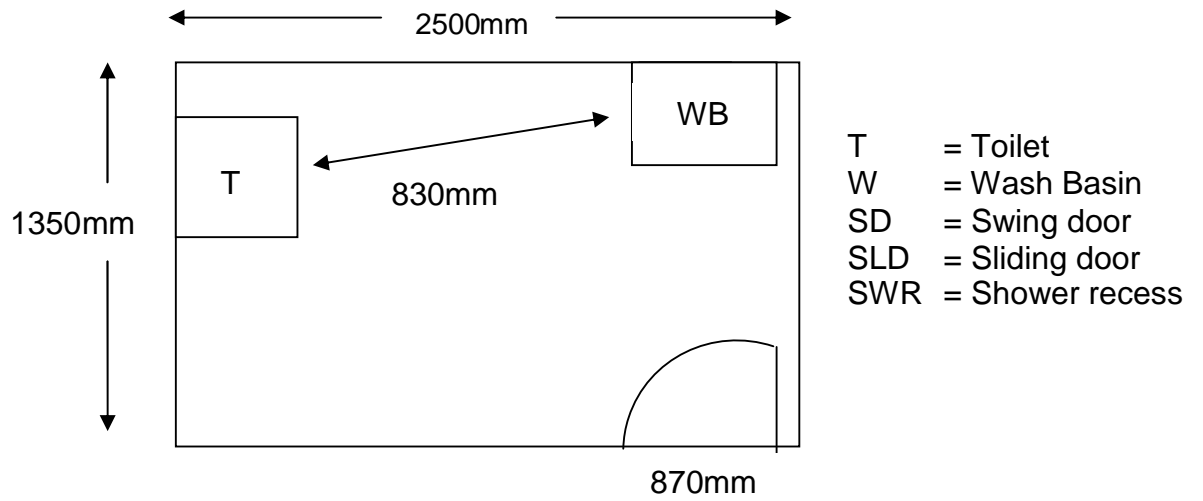
External access: A short ramp gradient 5.8degrees (1.9) connects the Boardwalk to the toilet entrance. The door to the toilets is a swing door 800mm with a push action. The door is heavy to open. There is sufficient room for al styles of wheelchairs.

Door: The toilet door is swing door 870mm wide that is light to open and fast to close. It has a 1500mm on the internal latch side of the door.

Pan height: 460mm

Basin height: 790mm

Lighting: There are light switches in approx. 900mm height



Information collected by:

Shire of Broome August 2007

Care has been taken to ensure the accuracy of this information however no guarantee is given that the facility is fully accessible.
Please advise the Shire of Broome of any access changes since publication.

'You're Welcome WA Access Initiative' © Disability Services Commission 2007



The **You're Welcome WA Access Initiative** was developed by the Disability Services Commission in partnership with the Western Australian Local Government Association, Ministerial Advisory Council on Disability, People with Disabilities (WA) Inc, Tourism Western Australia, ACROD WA, NICAN WA and the City of Perth.

Shire of Broome

The Old Zoo Cafe

Location: Challenor Drive, Cable Beach

Type: Table Service, Alfresco & Café style

Opening hours: Monday to Sunday 7.00am til late

Telephone: (08) 9193 6200

Bookings taken: Yes.

Closest accessible parking: There is no designated accessible parking bay in the rear car park, but ample parking otherwise.

Pick up / set down bay: No.

Closest public transport: There is a Town Bus Stop right at the front of the restaurant and showroom.

Accessible toilet: onsite, located at rear car park.

Signage: Clear and easy to read from the road.

External access: A barrier free boardwalk 1140mm wide with a slight gradient of 4 degrees (1.14) leads to open entrance. Wheelchair access (Y+).

Entrance door: There are 3 different entry ways to the restaurant, but only one is accessible for wheelchair patrons. From the allocated parking bay take the path on the right hand sound around the building. It brings you to a bridge straight onto the alfresco area of the restaurant, from where you also have access to the inside area via a very wide double glass door with a slight step.

Internal: Floor is wooden boards and tiles. Wheelchair access is possible to most parts of the restaurant (Y+).

Food counter: The food counter and payment counter are at standing height.

Seating: Chairs have a seat height of 450mm and armrests and backrests. Tables are central pedestal with good knee clearance. Tables and chairs are movable.

Menu: The table menu and blackboard menu have good colour contrast and are easy to read.

Accessible toilet: See Report on Willie Creek and Old Zoo Café Accessible Toilet

Information collected by:

Shire of Broome August 2007

Care has been taken to ensure the accuracy of this information however no guarantee is given that the facility is fully accessible.

Please advise the Shire of Broome of any access changes since publication.

'You're Welcome WA Access Initiative' © Disability Services Commission 2007



The **You're Welcome WA Access Initiative** was developed by the Disability Services Commission in partnership with the Western Australian Local Government Association, Ministerial Advisory Council on Disability, People with Disabilities (WA) Inc, Tourism Western Australia, ACROD WA, NICAN WA and the City of Perth.

Shire of Broome

Wharf Restaurant

Location: Port of Broome on Port Drive

Type: Alfresco dining with table service and take away counter sales

Opening hours: Monday to Sunday 10.00am to 10.00pm

Telephone: (08) 9192 5700

Web: www.broomedirectory.com/categories

Bookings taken: Yes

Closest accessible parking: No designated accessible parking bay, but plenty of other parking spots at Broome Jetty Car par.

Pick up / set down bay: Is possible at the entrance.

Closest public transport: Town bus stop at vacation village on Port Drive, very far away from the Port of Broome.

Accessible toilet: Onsite.

Signage: Clear and easy to read.

External access: A brick paved path of 1200mm at its narrowest leads to the alfresco dining area, which is open and without an entrance door. Wheelchair patrons should use this entrance, as staff will attend to orders at the table for wheel-chaired customers.

Entrance door: to counter sales is 1650mm wide with a step-up lip of 120mm. The door is open during business hours.

Internal: The entry aisle is 1800mm wide with good circulation area.

Food counter: At sitting heights with 1000mm.

Seating: The tables are 740mm high with good knee clearance either in shaded area with large umbrellas providing shade. The tables are movable some with corner legs and some with central pedestal. The chairs are movable with armrests and at seating heights of 450mm.

Menu: The menu is easy and available at counter level or brought to the table by request.

Alfresco Area: The level brick paving dining area is generally barrier free with wheelchair access between movable tables at least 1250mm (Y++).

Accessible toilet: There is a unisex accessible toilet during business hours.

External access: The brick paved path of 1350mm leads to the entrance door of a male, female and unisex disabled toilet block.

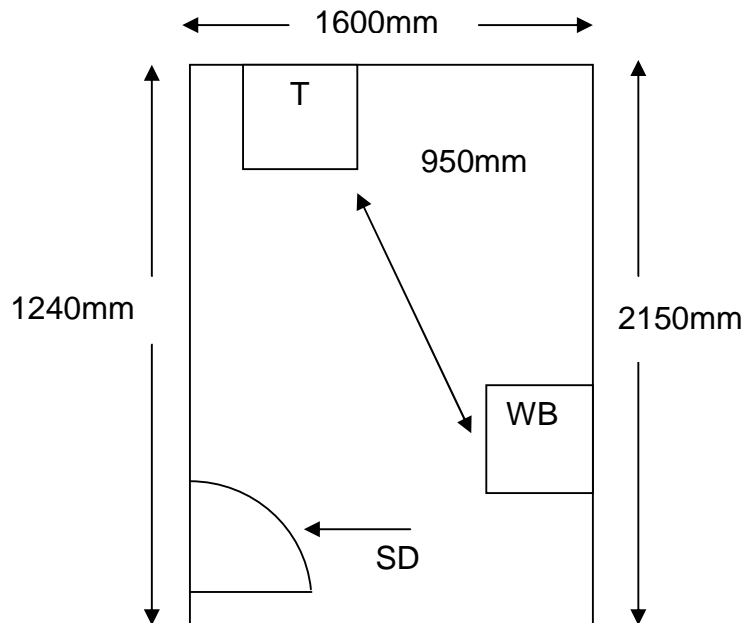
Entrance door: has a 800mm wide swing door and leads to a tiled floor corridor of 1100mm width and 1240mm length.

Toilet door: 870mm wide swing door light to open and easy to close with 1220mm external and internal clearance on the latch side of the door. The door has a knob handle with a push button snib. Wheelchair access (Y++).

Pan height: 480mm.

Basin height: 780mm with knee access.

Lighting: Fluorescent light is usually on at all times. There is a light switch 1400mm on latch side of internal entrance.



- T = Toilet
- WB = Wash Basin
- SD = Swing door
- SLD = Sliding door
- SWR = Shower recess



Information collected by:

Shire of Broome August 2007

Care has been taken to ensure the accuracy of this information however no guarantee is given that the facility is fully accessible.

Please advise the Shire of Broome of any access changes since publication.

'You're Welcome WA Access Initiative' © Disability Services Commission 2007



The **You're Welcome WA Access Initiative** was developed by the Disability Services Commission in partnership with the Western Australian Local Government Association, Ministerial Advisory Council on Disability, People with Disabilities (WA) Inc, Tourism Western Australia, ACROD WA, NICAN WA and the City of Perth.

Shire of Broome

Zanders at Cable Beach

Location: Cable Beach Reserve

Type: Indoor & Alfresco café style with table service and licensed.

Opening hours: Monday to Sunday 8.00am to 9.00pm

Telephone: (08) 9193 5090

Web: www.zanders.com.au

Bookings taken: Yes.

Closest accessible parking: One accessible parking bay on cable beach car park very close to the entrance.

Pick up / set down bay: No

Closest public transport: Town Bus Stop close to the restaurant.

Accessible toilet: onsite.

Signage: Good coloured contrast readable from a distance.

External access: A wide barrier free pedestrian ramp with a gradient 4.3 (1.13) leads to the entrance.

Entrance door: 870mm wide door open during business hours.

Internal: There is sufficient space for all styles of wheelchairs to move between the tables. Wheelchair access (Y++).

Food counter: The cake display is at sitting height.

Payment Counter: It is at standing height.

Seating: The chairs have backrests with a seat height of 440mm. Tables are central pedestal with good knee clearance.

Menu: These are in good colour contrast and easy to read with a 12 point font.

Accessible toilet: There is a unisex accessible toilet available.

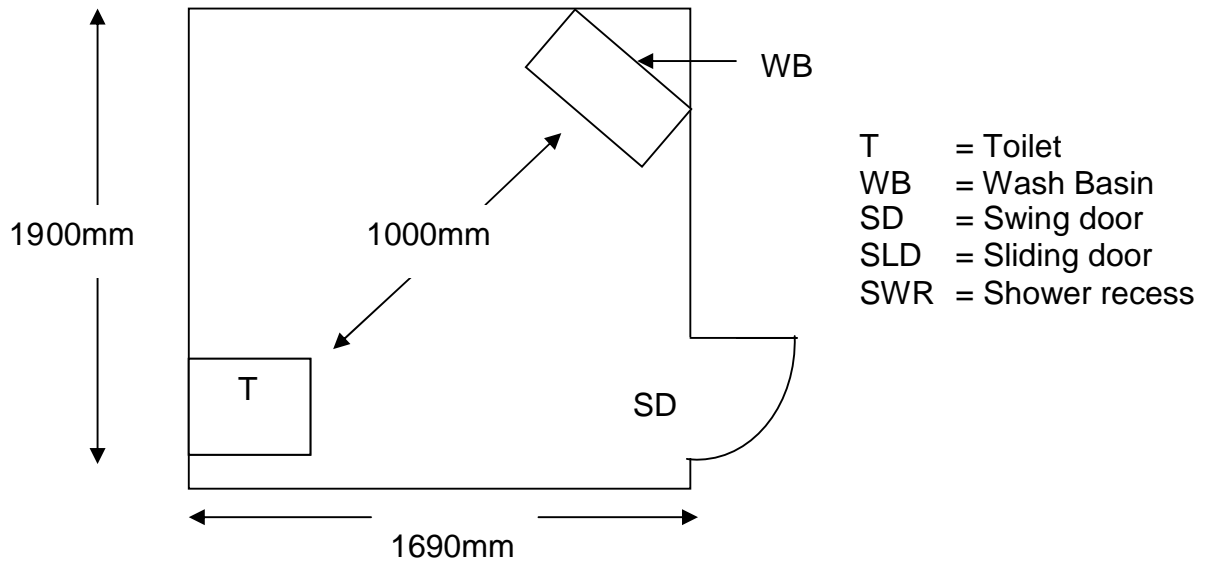
External access: Suitable for all wheelchairs.

The toilet has a 870mm wide swing door has a D handle and a small snib. The door is light to open and easy to close.

Pan height: 460mm

Basin height: 800mm with knee access.

Lighting: The light is on at all times.





Information collected by:

Shire of Broome August 2007

Care has been taken to ensure the accuracy of this information however no guarantee is given that the facility is fully accessible.

Please advise the Shire of Broome of any access changes since publication.

'You're Welcome WA Access Initiative' © Disability Services Commission 2007



The **You're Welcome WA Access Initiative** was developed by the Disability Services Commission in partnership with the Western Australian Local Government Association, Ministerial Advisory Council on Disability, People with Disabilities (WA) Inc, Tourism Western Australia, ACROD WA, NICAN WA and the City of Perth.