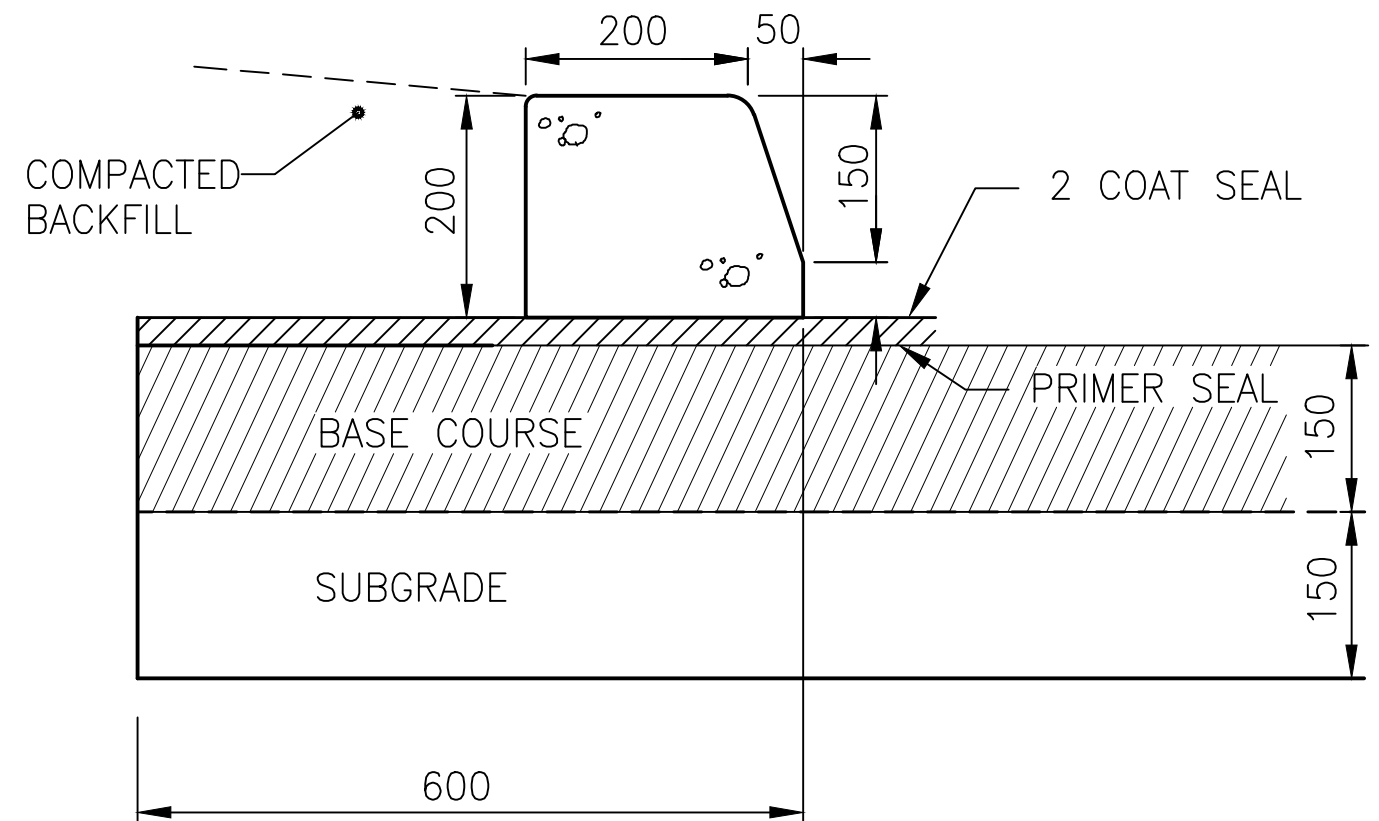


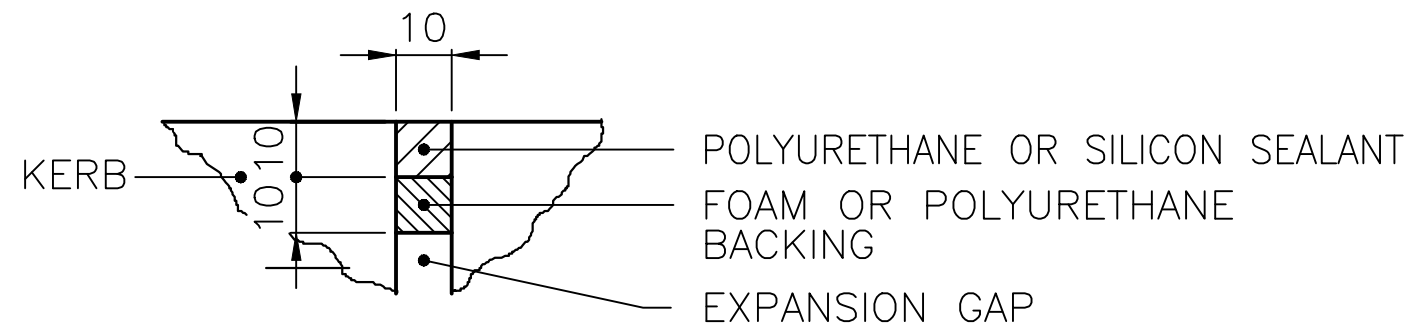
SEMI-MOUNTABLE KERB

SCALE 1:10



BARRIER KERB

SCALE 1:10



EXPANSION JOINT DETAIL

N.T.S.

AMENDMENTS	No	DATE	REVISION	BY	APP'D

SHIRE OF BROOME
WELD ST. (P.O. BOX 44)
BROOME W.A. 6725

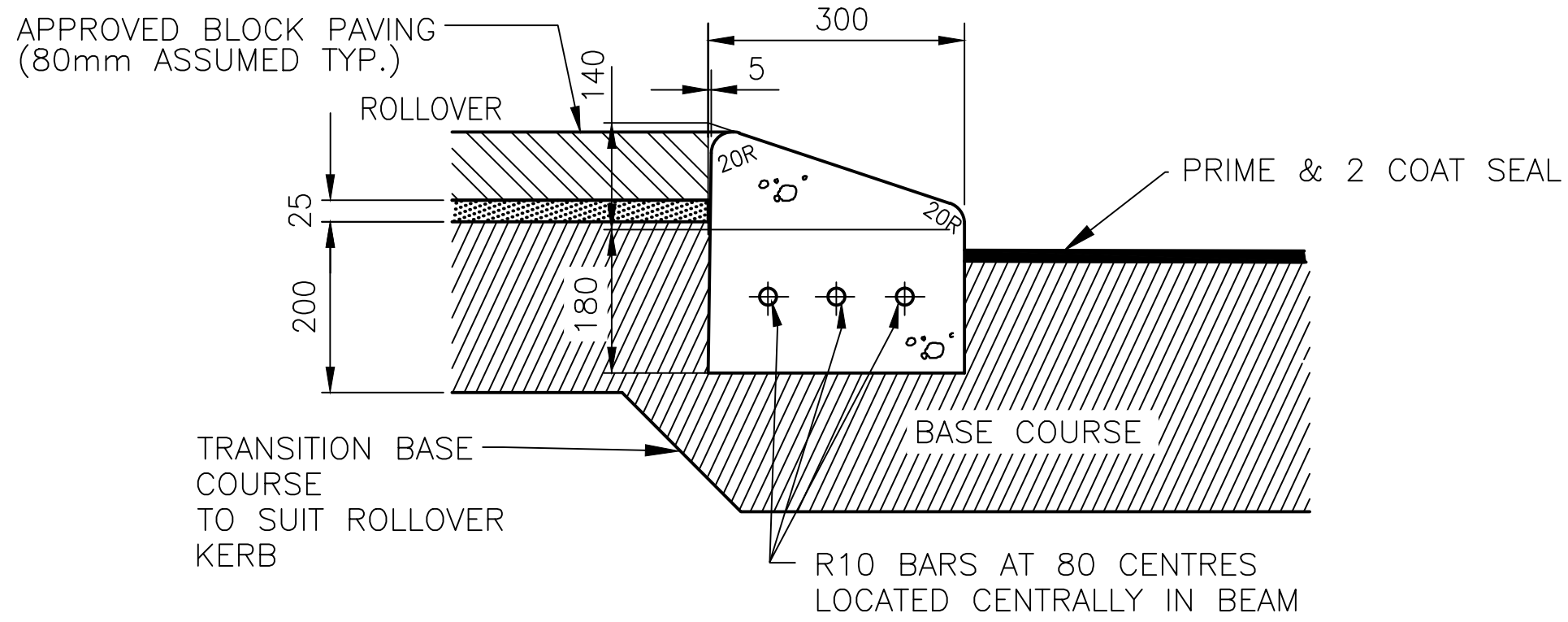
TEL (08) 9191 3456
FAX (08) 9191 3455

Survey	-	Scale	AS SHOWN
Design	JW	AutoCAD Ref:	S00-005
Drawn	DS	Checked	JW
Contour Interval	-	CivilCAD Ref:	-
Date	23-9-09	Approved	



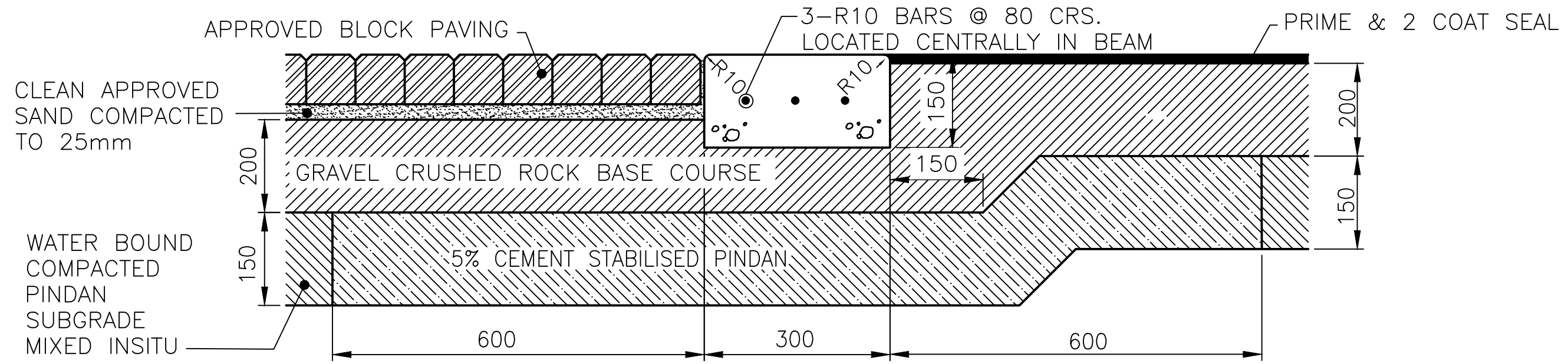
EXTRUDED KERBING
STANDARD DETAILS

Sheet No. 1 of 2
Drawing Number
S09-003




MOUNTABLE KERB AT ROUNDABOUT

SCALE 1:10



REINFORCED EDGE BEAM FOR BLOCK PAVING / ASPHALT

SCALE 1:5 (NOT TO BE CUT)

AMENDMENTS	No	DATE	REVISION	BY	APP'D	SHIRE OF BROOME WELD ST. (P.O. BOX 44) BROOME W.A. 6725 TEL (08) 9191 3456 FAX (08) 9191 3455	Survey	-	Scale	AS SHOWN	 Shire of Broome <i>people • place • prosperity</i>	EXTRUDED KERBING STANDARD DETAILS	Sheet No.	2 of 2
							Design	JW	AutoCAD Ref:	S00-005			CivilCAD Ref:	
							Drawn	DS	Checked	JW	Approved			
							Contour Interval	-						
							Date	23-9-09						