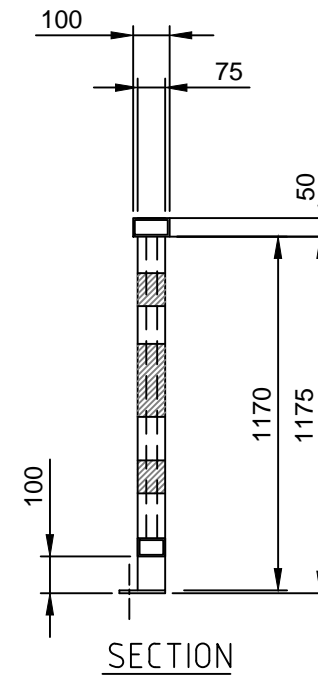
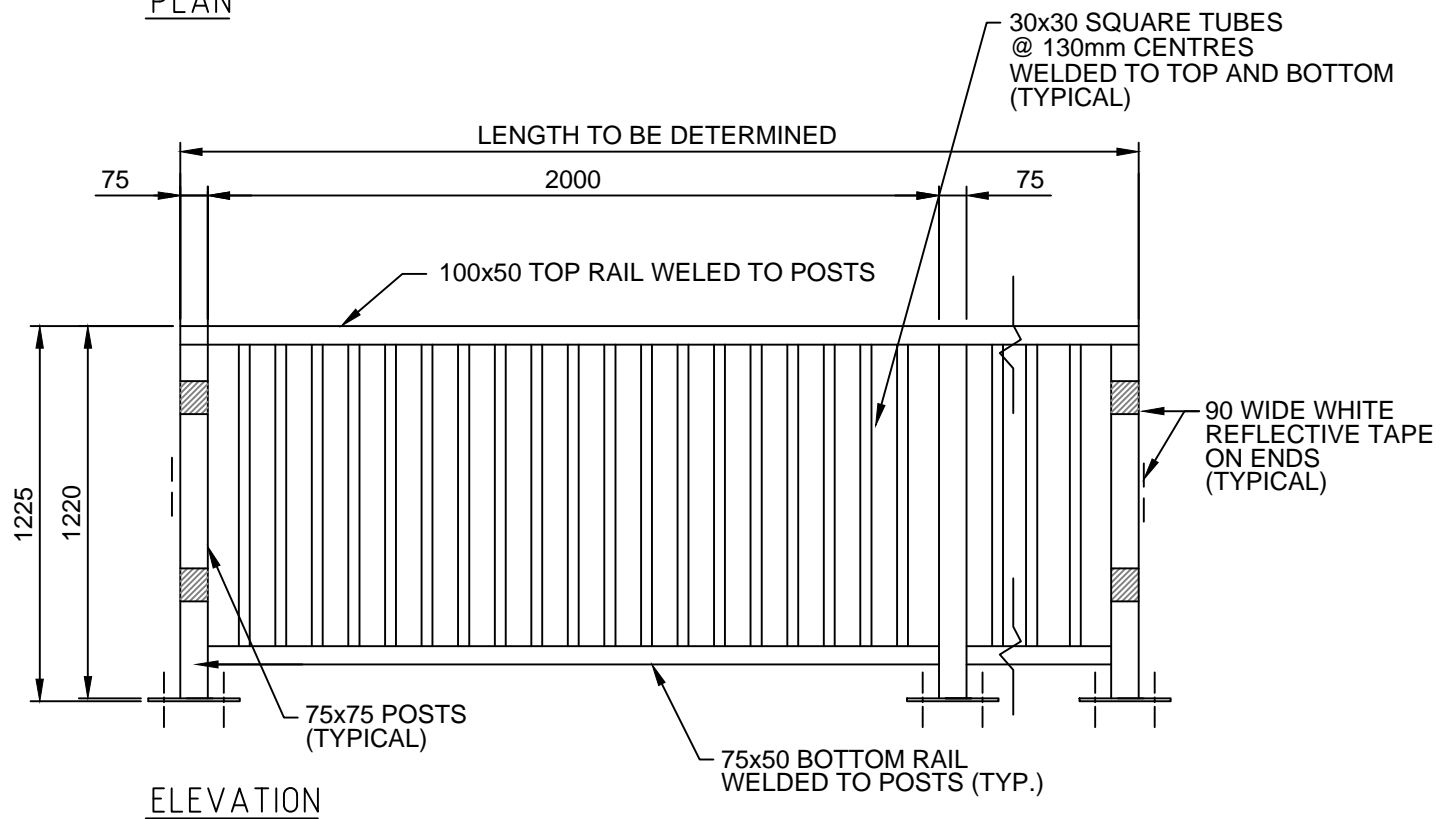


**NOTES:**

ALL STEELWORK TO BE  
POWDER COATED  
CAUFIELD GREEN  
(TYPICAL).



**STANDARD BRIDGE RAIL**

1:20

<b>Amendments</b> 11/12/12 REV A - RAIL HEIGHT MODIFIED	Survey RDW	Scale 1:2000		STANDARD BRIDGE RAIL	Sheet No. 1 of 1
	Design SW	AutoCAD Ref: <small>ACAD/STANDARDS/S11-001</small>			Drawing Number
SHIRE OF BROOME WELD ST. (P.O. BOX 44) BROOME W.A. 6725 TEL (08) 9191 3456 FAX (08) 9191 3455	Drawn SW	CivilCAD Ref: N/A		S11-001 REV A	
Contour Interval	Approved	Date 18/07/2011			