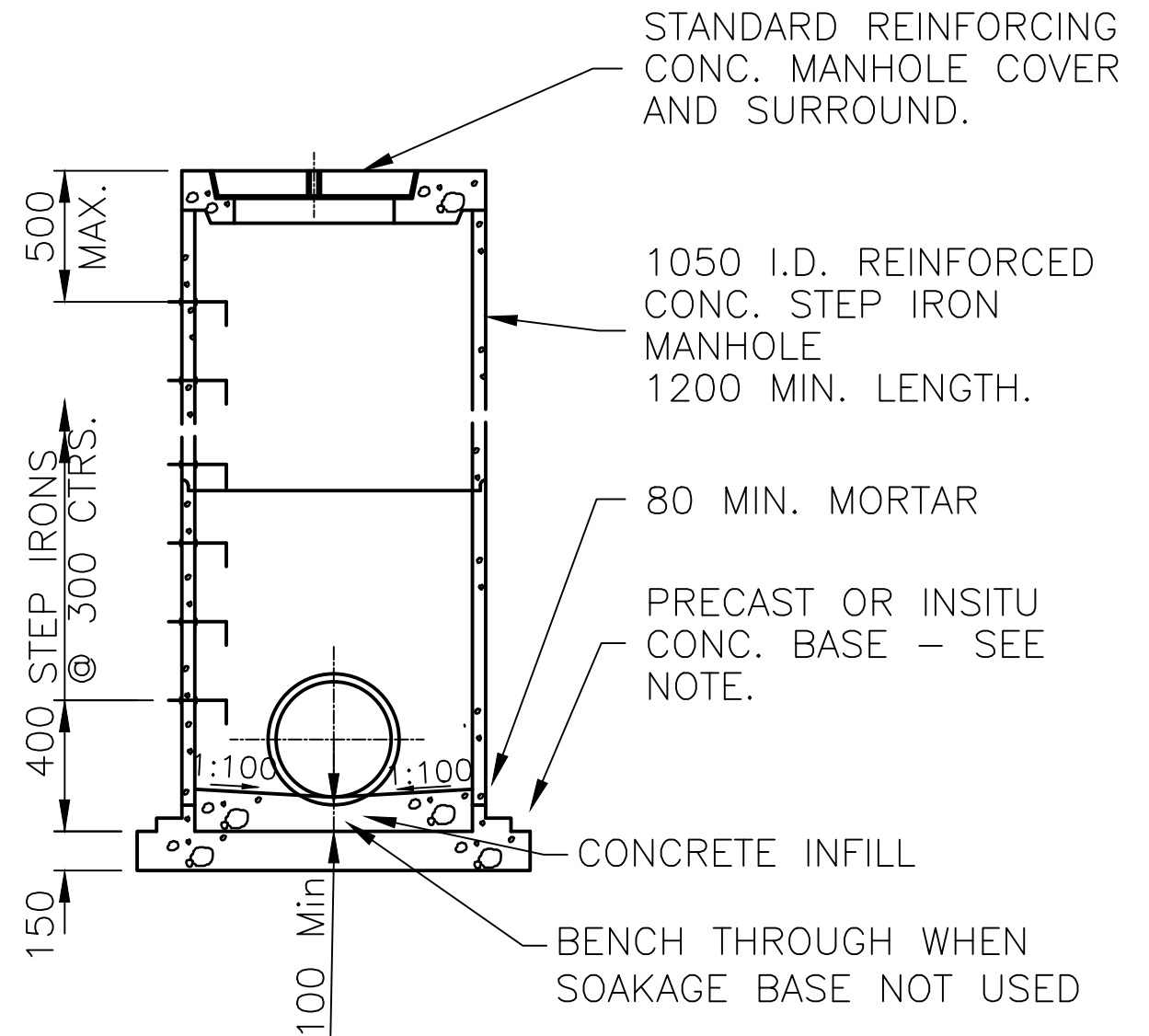


80 MIN. MORTAR
INSIDE AND OUT
AT BROKEN
CONCRETE AREAS
(TYPICAL).

PLAN
PREFERRED LAYOUT



SECTION A-A

STANDARD MANHOLE DETAILS

SCALE 1:40

AMENDMENTS	No	DATE	REVISION	PC	JW	BY	APP'D

SHIRE OF BROOME
WELD ST. (P.O. BOX 44)
BROOME W.A. 6725
TEL (08) 9191 3456
FAX (08) 9191 3455

Survey	-	Scale	AS SHOWN
Design	JW	AutoCAD Ref:	S00-005
Drawn	DS	Checked	JW
Contour Interval	-	CivilCAD Ref:	-
Date	23-9-09	Approved	



**MANHOLE
STANDARD DETAILS**

Sheet No.	1 of 3
Drawing Number	S09-004